

METAL LEAFLET HOOK-ON

B-H 300 SYSTEM 02

F-H 600 SYSTEM 09

K-H 400 SYSTEM 16

R-H 200 SYSTEM 23

R-H 215 SYSTEM 30

Metal
product

B-H 300 SYSTEM

Linear grid

Inspiring Great Spaces™





B-H 300 SYSTEM LINEAR GRID

SPECIFICATION

System	Armstrong ceiling system B-H 300, Hook-On solution with visible grid, with optional swing-down "Window" function, suspension height min. 100 mm
Panel Material	galvanised steel sheet panel width up to 400 mm 0.6 mm panel width from 401 mm 0.7 mm (aluminium or further materials on request)
Coating	RAL 9010 pure white post-coated powder painted visible surface, other RAL or NCS colours on request
Execution*	rectangular panel square edged long sides CA / DA (30 - 55 mm) short sides E1 / F1 (30 mm)
Gap solution	3 mm gap, with black gasket one long and short side
Acoustic inlay	Black non-woven acoustic fleece as standard. Other options available on request.
Configurable dimensions	panel length (A) 600 - 3000 mm panel width (B) 275 - 1350 mm
Grid system	GemaGrid® system in combination with visible C-profile 100 mm Further suspension methods on request
Perimeter solution	Range of standards trims in steel and aluminium plus custom bulkheads available

Service integration	standard round or rectangular cut-outs plus customised options on request
Special capabilities	- trapezoidal panel solution - curved panel solution - chilled ceiling solution - can be combined with other Armstrong products



* For further information about the edge detail execution of metal tiles, please see the Metal Edge Detail Execution datasheet

BENEFITS

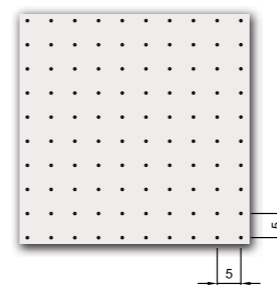
- Combining functionality with stylish simplicity
- Creates a linear visual effect
- C-profiles alignment with partitions to help fixing/support for partitions.

APPLICATION AREA

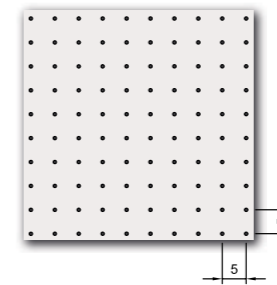
- Remarkably versatile
- Various design options for the profile and panel (linear, radial, crossed)
- Easy access to the ceiling void
- Used in large office environments and flexible with partitioning systems...

PROJECT: Palazzo Uffici, Milano (IT) ARCHITECT: Genius Loci Architettura s.r.l

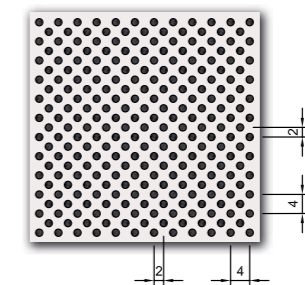
STANDARD PERFORATION PATTERNS



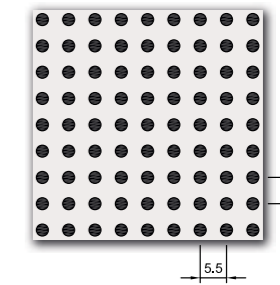
Ultra Microperforation Rg 0501
Hole diameter: 0.5 mm
Free area: 0.64 %



Extra Microperforation Rg 0701
Hole diameter: 0.7 mm
Free area: 1.5 %



Microperforation Rd 1522
Hole diameter: 1.5 mm
Open area: 22%



Standard Perforation Rg 2516
Hole diameter: 2.5 mm
Open area: 16%

Other perforation patterns available on request.

ACOUSTIC PERFORMANCE

Metal ceiling systems have been tested for their acoustic performance in terms of sound absorption, sound attenuation and sound reduction. These performance values will depend upon the perforation and the acoustic infill. Please contact us for more information on the available factory fitted acoustic options.

THERMAL CONDUCTIVITY

(λ) W/mK
50.0 : Steel
0.04 : Acoustic fleece

HUMIDITY EXPOSURE

Up to 95% RH (for short term exposure).

SERVICES INTEGRATION

Metal panels can be supplied with factory produced cut outs and apertures for the integration of building services equipment.

CLEANING

Dust should be removed from the painted surface by wiping with a clean soft cloth. More stubborn marks should be removed with a mild household detergent in warm water. Excessive use of water should be avoided. The use of abrasive cleaners of the painted surface is not recommended.

COLOUR

Standard colours

RAL 9010 20% gloss
Global White 12% gloss
RAL 9006 30% gloss
RAL 9007 30% gloss



Special colours

Other RAL and NCS colours available on request

QUALITY STANDARD

Armstrong is a certified **EN ISO 9001:2008** Quality Assured Manufacturer. All Armstrong ceiling and grid systems are manufactured to the relevant tolerances and quality standards appropriate to material. Where differences exist between this and any expressed or implied architectural specifications of requirements then Armstrong's manufacturing standards will prevail unless stated otherwise.

ENVIRONMENTAL

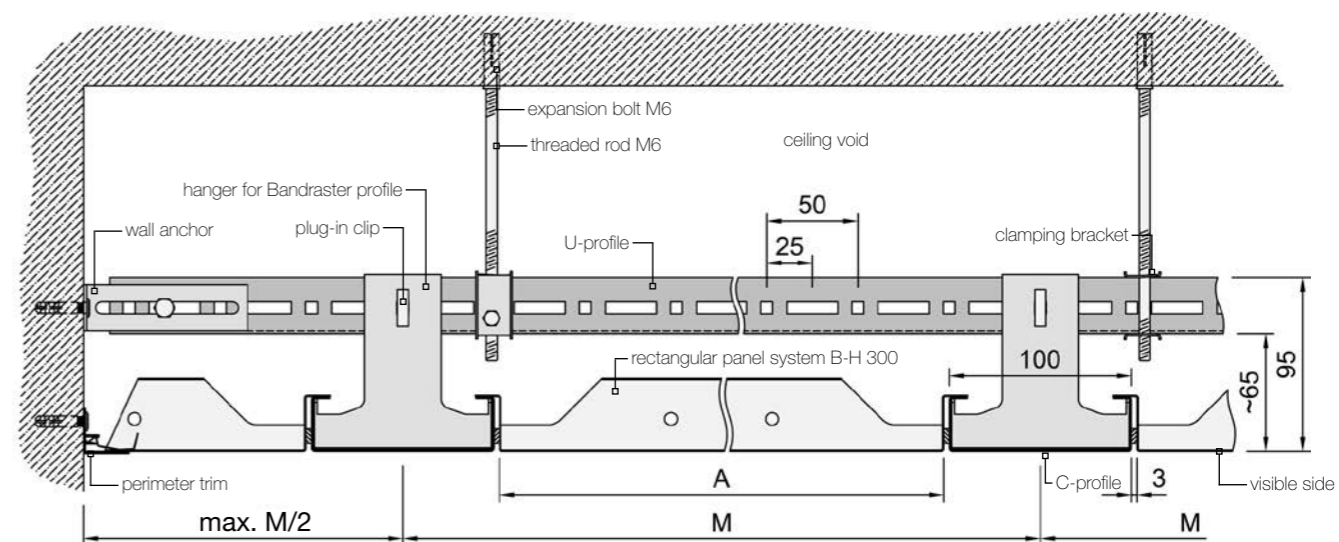
Our metal panels have an average of up to 30% recycling content. Our European manufacturing plants are certified to: **ISO 14001:2004 + Cor. 1:2009**
Armstrong is a member of TAIM (Technical Association of Industrial Metal Ceilings).

Sustainability		Acoustics						Safe & Healthy				
Recycled content (%)	Light reflectance (%)	α _w up to	Sound absorption class	NRC up to	Dncw / Dnfw (dB) up to	Rw (dB) up to	Fire reaction	Humidity Resistance (%) up to	Cleanability	Bioguard paint option	Scratch resistance	

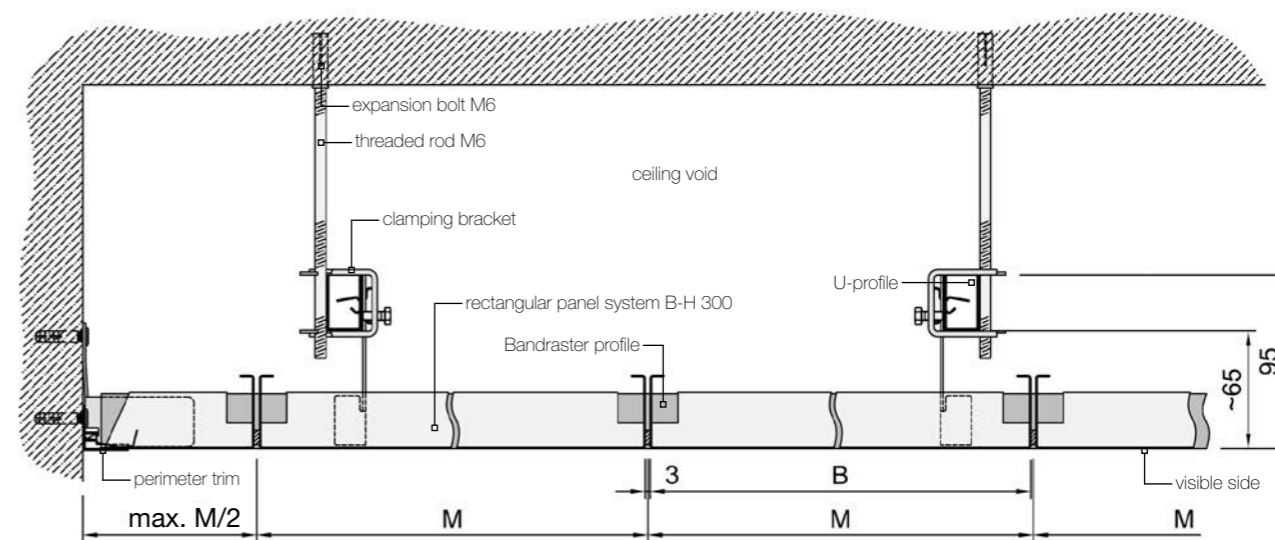
Ultra Microperforation Rg 0501 (1)	up to 30	83	0.45(LM)	D	0.55	18	8	A1	95	scrubbable	✓	✓
Extra Microperforation Rg 0701 (2)	up to 30	80	0.55(L)	D	0.65	21	10	A2-s2, d0	95	wipeable moist cloth (3)	✓	✓
Microperforation Rd 1522 (2)	up to 30	65	0.70	C	0.70	16	6	A2-s2, d0	95	wipeable moist cloth (3)		✓
Standard Perforation Rg 2516 (2)	up to 30	70	0.75(L)	C	0.80	18	8	A2-s2, d0	95	wipeable moist cloth (3)		✓
Plain / Unperforated (1)	up to 30	85	0.10(L)	Not Classified	0.10	44	19	A1	95	scrubbable	✓	✓
Premium B15	up to 30	depends on perforation	0.65	C	0.60	41	20	A2-s1, d0	95	wipeable moist cloth		✓
Premium OP19	up to 30	depends on perforation	1.00	A	0.90	31	15	A2-s2, d0	95	wipeable moist cloth		✓

(1) RAL 9010 colour, without acoustic inlay. (2) RAL 9010 colour, with black acoustic fleece glued on rear. (3) Wipeable moist cloth for perforated tiles with fleece. Scrubbable for plain tiles or perforated tiles without fleece.

CROSS-SECTION



LONGITUDINAL-SECTION



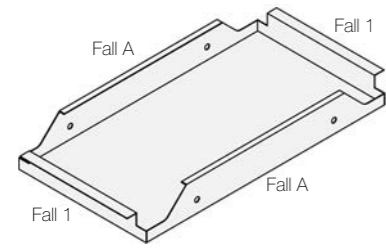
M = module size / A = panel length / B = panel width

Item No.	Designation
BPM 300100	U-profile
BPM 300119	connector for U-profile
BPM 300120	plug-in clip
BPM 300140	wall anchor
BPM 300121	clamping bracket
BPM 311111	expansion bolt M6 x 30 mm
BPM 311099	threaded rod M6 x 1'000 mm
BPM 215500	C-profile 100 mm

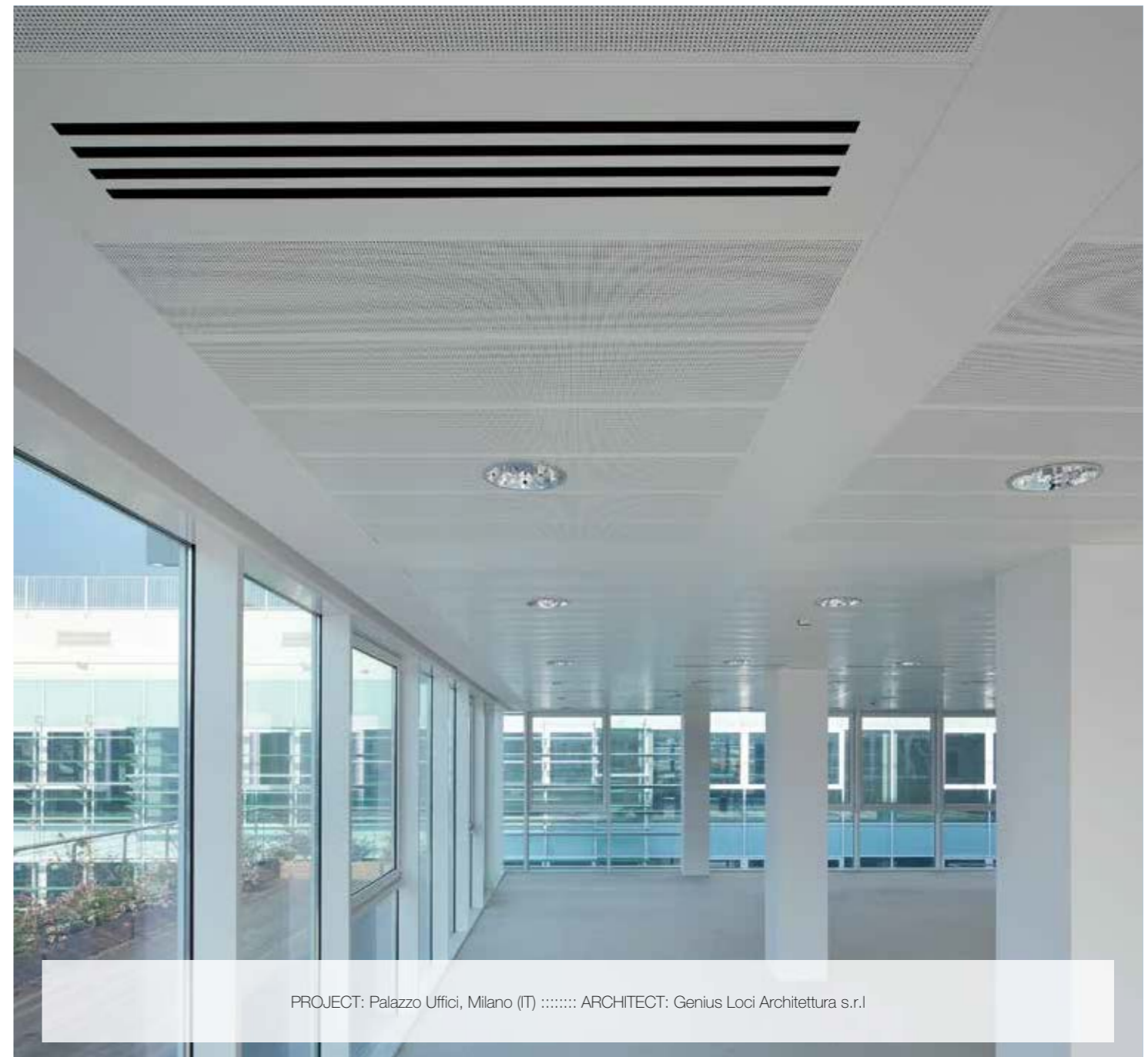
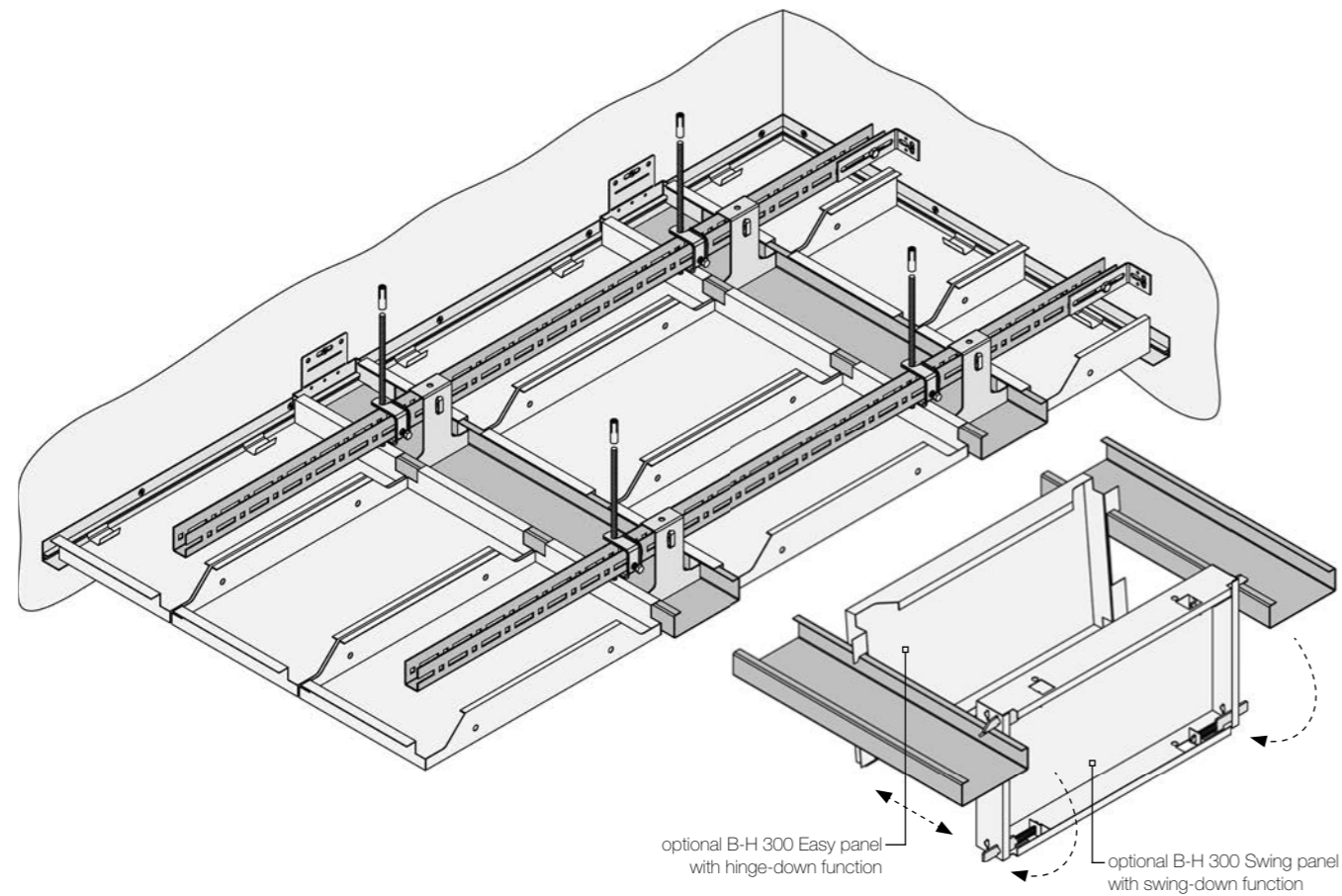
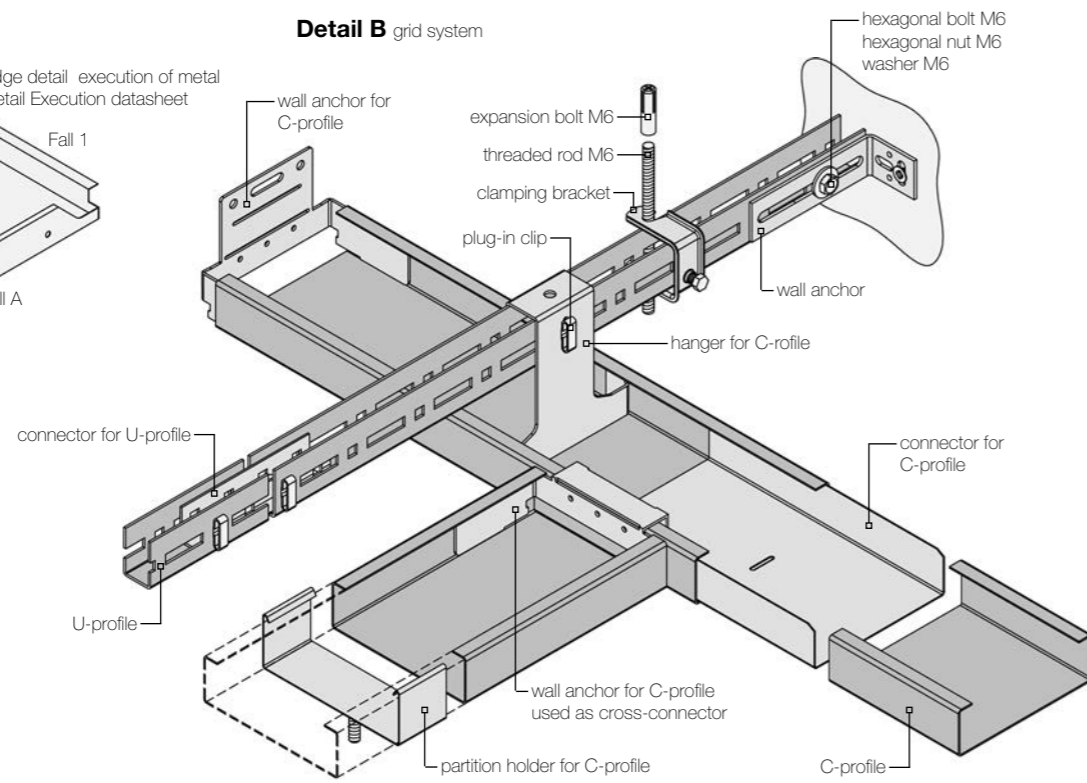
Item No.	Designation
BPM 311067	connector for C-profile
BPM 300118	hanger for C-profile
BPM 300144	wall anchor for C-profile
BPM 311205	partition holder for C-profile
BPM 311303	hexagonal bolt M6 x 16 mm
BPM 311103	hexagonal nut M6
BPM 311305	washer M6 18 x 1.6 mm

Detail A B-H 300 panel

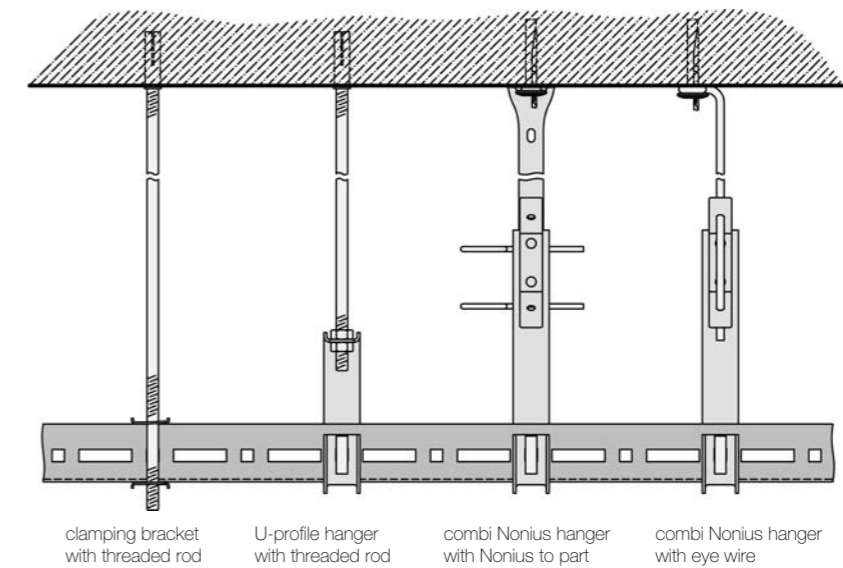
For further information about the edge detail execution of metal tiles, please see the Metal Edge Detail Execution datasheet



Detail B grid system



Detail C suspension methods



Metal
product



F-H 600 SYSTEM
Corridor ceiling

Inspiring Great Spaces™

Armstrong®

F-H 600 SYSTEM CORRIDOR CEILINGS



BENEFITS

- Free-span solution
- Rectangular panel, adapted to corridor or circulation area width
- Meets visual and individual project requirements

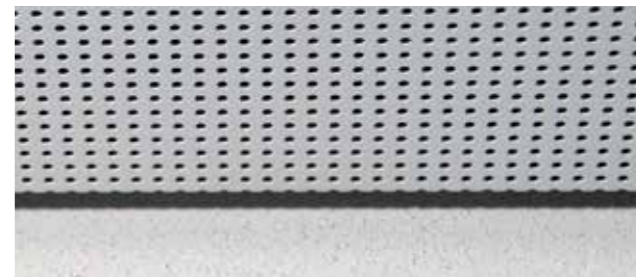
- Easy, quick access to ceiling void due to the swing-down function
- Perimeter trim is not part of the standard solution. It's available as an option

APPLICATION AREA

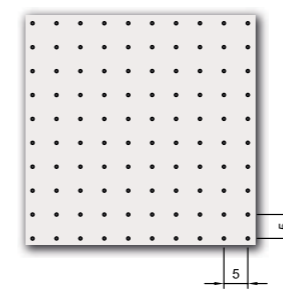
- Corridors where the panels simply span between walls.

PROJECT: Tema, Roma (IT) ARCHITECT: Gabriele Napolitano, S&PA

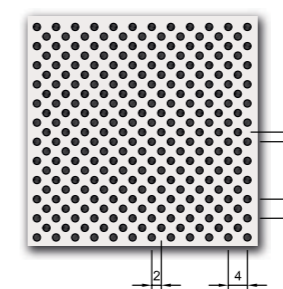
SPECIFICATION

System	<p>F-H 600 System Armstrong ceiling system F-H 600, Hook-On solution with concealed grid, installation height min. 170 mm for wall bracket at perimeter with 5 - 65 mm shadow gap between wall and panel</p> <p>F-H 600 Swing Function Armstrong ceiling system F-H 600 Swing-down, Hook-On solution with visible grid, installation height min. 155 mm for wall bracket at perimeter with 0 - 72 mm shadow gap between wall and profile with integrated swing-down function</p>	Gap solution	<p>F-H 600 System 0 mm gap on long side, without gasket Variable shadowgap on short side to cover wall tolerances</p> <p>F-H 600 Swing Function 3 mm gap, with black gasket on one long and two short sides</p>
Panel material	Galvanised steel sheet panel width up to 400 mm 0.6 mm panel width from 401 mm 0.7 mm (aluminium or other materials on request)	Configurable dimensions	<p>F-H 600 System Panel length 600 - 3000 mm Panel width 275 - 1350 mm</p> <p>F-H 600 Swing Function Panel length 600 - 3000 mm Panel width 247 - 750 mm</p>
Coating	RAL 9010 pure white post-coated powder painted visible surface, other RAL or NCS colours on request	Grid system	<p>F-H 600 System Wall bracket attached to the wall in combination with J-bar, optional perimeter trim to cover the gap</p> <p>F-H 600 Swing Function Wall bracket attached to the wall in combination with G-profile</p>
Execution*	<p>F-H 600 System Rectangular panel square edged Long sides CA / DA (30 - 55 mm) Short sides E4 / F4A (30 mm) with standard notching</p> <p>F-H 600 Swing Function Rectangular panel square edged Long sides CA / DA (45 - 55 mm) Short sides E2 / F2 (40 mm) with standard notching</p>	Service integration	Standard round or rectangular cut-outs according to customer needs
Acoustic inlay	Black non-woven acoustic fleece as standard. Other options available on request.	<p>* For further information about the edge detail execution of metal tiles, please see the Metal Edge Detail Execution datasheet</p> 	

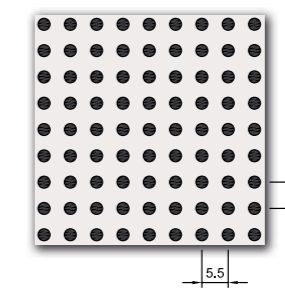
STANDARD PERFORATION PATTERNS



Extra Microperforation Rg 0701
Hole diameter: 0.7 mm
Open area: 1.5 %



Microperforation Rg 1522
Hole diameter: 1.5 mm
Open area: 22%



Standard Perforation Rg 2516
Hole diameter: 2.5 mm
Open area: 16%

Other perforation patterns available on request.

ACOUSTIC PERFORMANCE

Metal ceiling systems have been tested for their acoustic performance in terms of sound absorption, sound attenuation and sound reduction. These performance values will depend upon the perforation and the acoustic infill. Please contact us for more information on the available factory fitted acoustic options.

THERMAL CONDUCTIVITY

(λ) W/mK
 50.0 : Steel
 0.04 : Acoustic fleece

HUMIDITY EXPOSURE

Up to 95% RH (for short term exposure).

SERVICES INTEGRATION

Metal panels can be supplied with factory produced cut outs and apertures for the integration of building services equipment.

CLEANING

Dust should be removed from the painted surface by wiping with a clean soft cloth. More stubborn marks should be removed with a mild household detergent in warm water. Excessive use of water should be avoided. The use of abrasive cleaners of the painted surface is not recommended.

COLOUR

Standard colours

RAL 9010 20% gloss
 Global White 12% gloss
 RAL 9006 30% gloss
 RAL 9007 30% gloss



Special colours

Other RAL and NCS colours available on request

QUALITY STANDARD

Armstrong is a certified **EN ISO 9001:2008** Quality Assured Manufacturer. All Armstrong ceiling and grid systems are manufactured to the relevant tolerances and quality standards appropriate to material. Where differences exist between this and any expressed or implied architectural specifications or requirements then Armstrong's manufacturing standards will prevail unless stated otherwise.

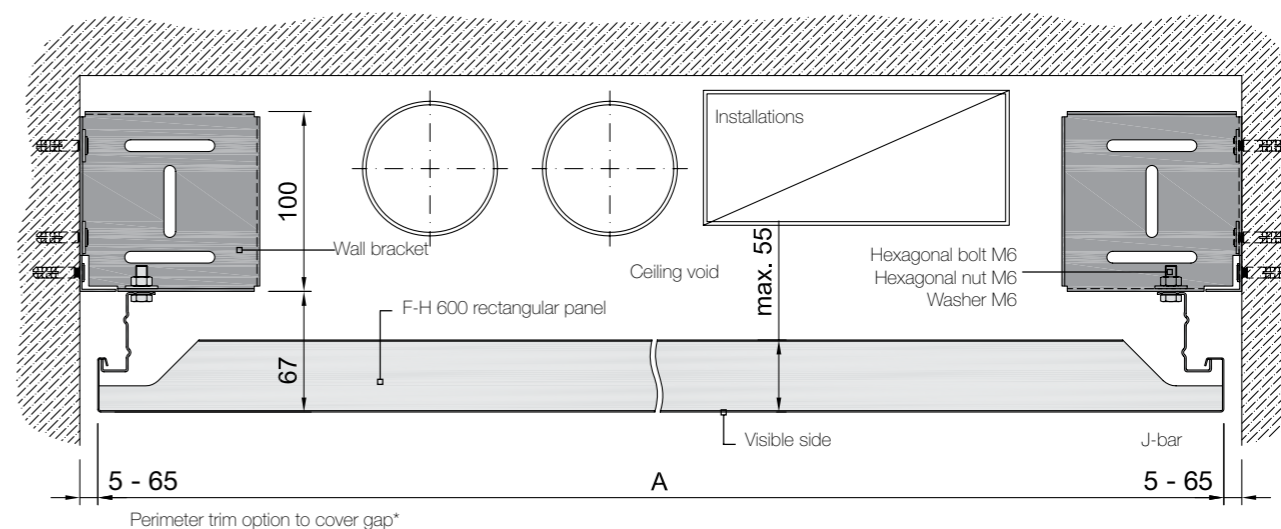
ENVIRONMENTAL

Our metal panels have an average of up to 30% recycled content. Our European manufacturing plants are certified to: **ISO 14001:2004 + Cor. 1:2009**
 Armstrong is a member of TAIM (Technical Association of Industrial Metal Ceilings).

Sustainability		Acoustics						Safe & Healthy				
Recycled content (%)	Light reflectance (%)	α _w up to	Sound absorption class	NRC up to	Dncw / Dnfw (dB) up to	Rw (dB) up to	Fire reaction	Humidity resistance (%) up to	Cleanability	Bioguard paint option	Scratch resistance	
Extra Microperforation Rg 0701 (2)	up to 30	80	0.55(L)	D	0.65	21	10	A2-s2, d0	95	wipeable moist cloth (3)	✓	✓
Microperforation Rd 1522 (2)	up to 30	65	0.70	C	0.70	16	6	A2-s2, d0	95	wipeable moist cloth (3)		✓
Standard Perforation Rg 2516 (2)	up to 30	70	0.75(L)	C	0.80	18	8	A2-s2, d0	95	wipeable moist cloth (3)		✓
Plain / Unperforated (1)	up to 30	85	0.10(L)	Not Classified	0.10	44	19	A1	95	scrubbable	✓	✓

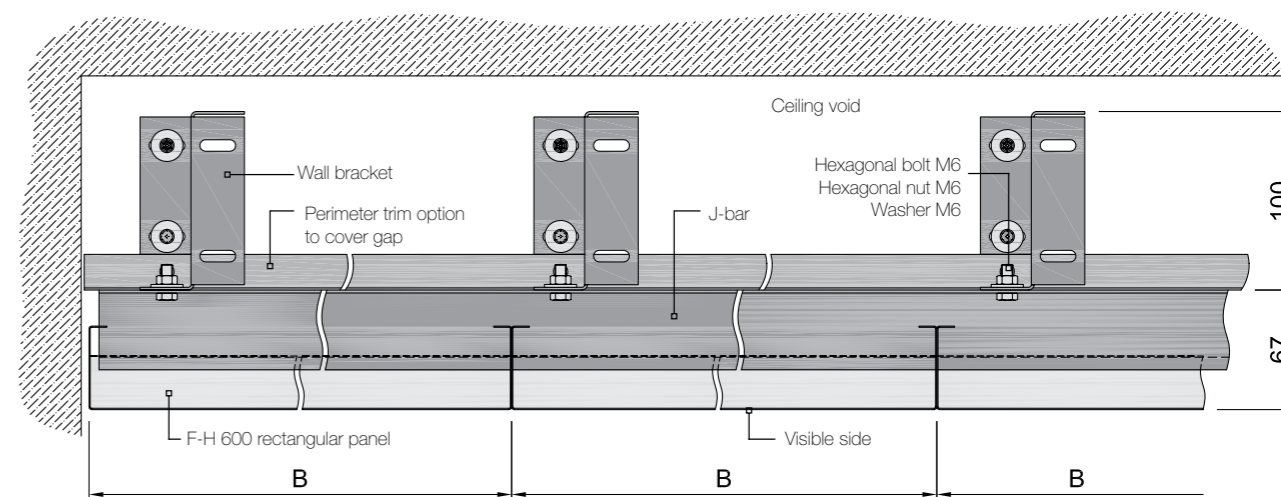
(1) RAL 9010 colour, without acoustic infill. (2) RAL 9010 colour, with black acoustic fleece glued on rear. (3) Wipeable moist cloth for perforated tiles with fleece. Scrubbable for plain tiles or perforated tiles without fleece.

CROSS-SECTION - F-H 600



*Wall bracket can be swept and installed without perimeter trim, for a gap of 0 - 90 mm

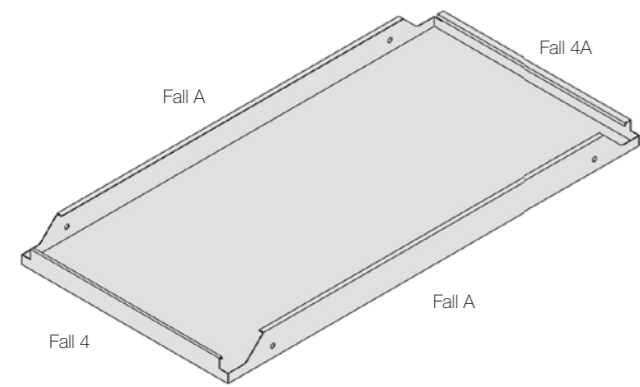
LONGITUDINAL-SECTION



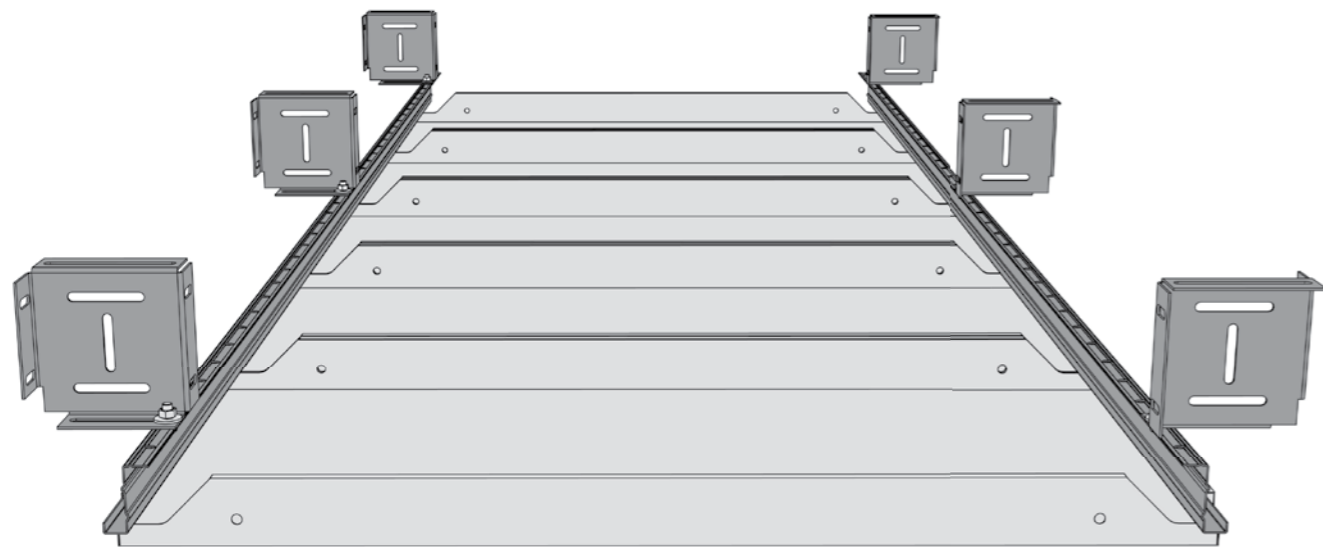
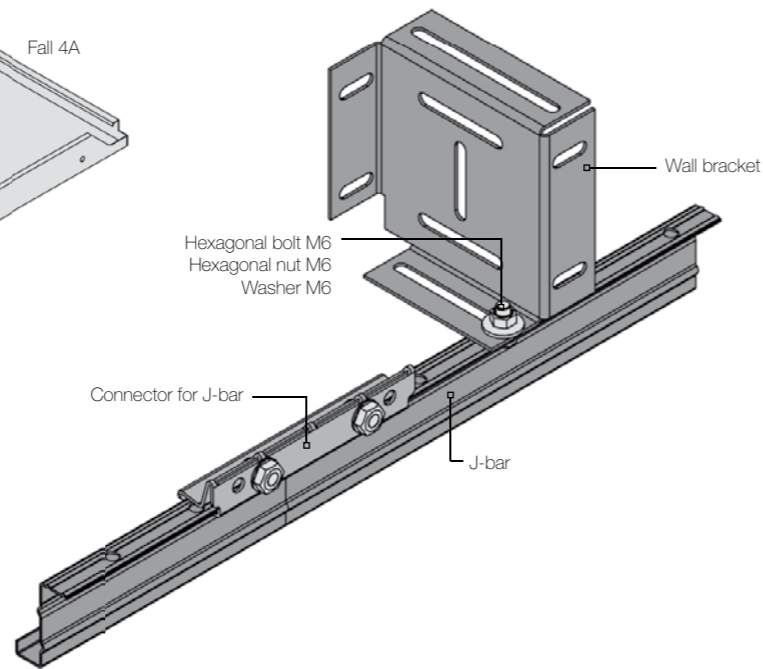
Item No.	Designation
BPM 311007	Wall bracket
BPM 300026	J-bar
BPM 300343	Connector for J-bar
BPM 311303	Hexagonal bolt M6 x 16 mm
BPM 311103	Hexagonal nut M6
BPM 311305	Washer M6 18 x 1.6 mm

F-H 600 SYSTEM

Detail A F-H 600 rectangular panel

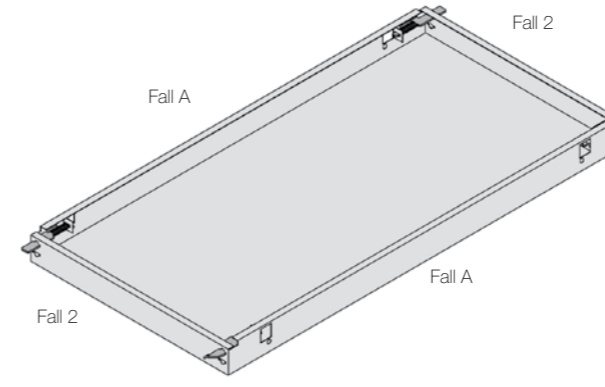


Detail B Grid system

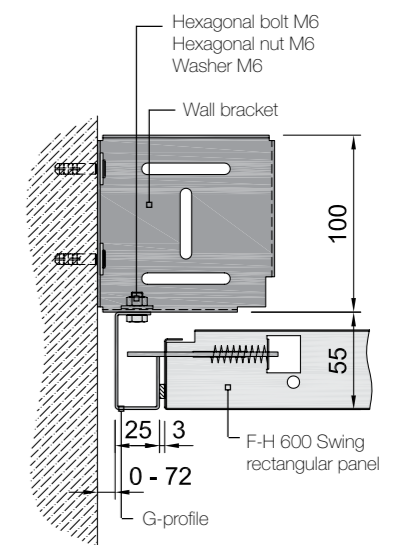
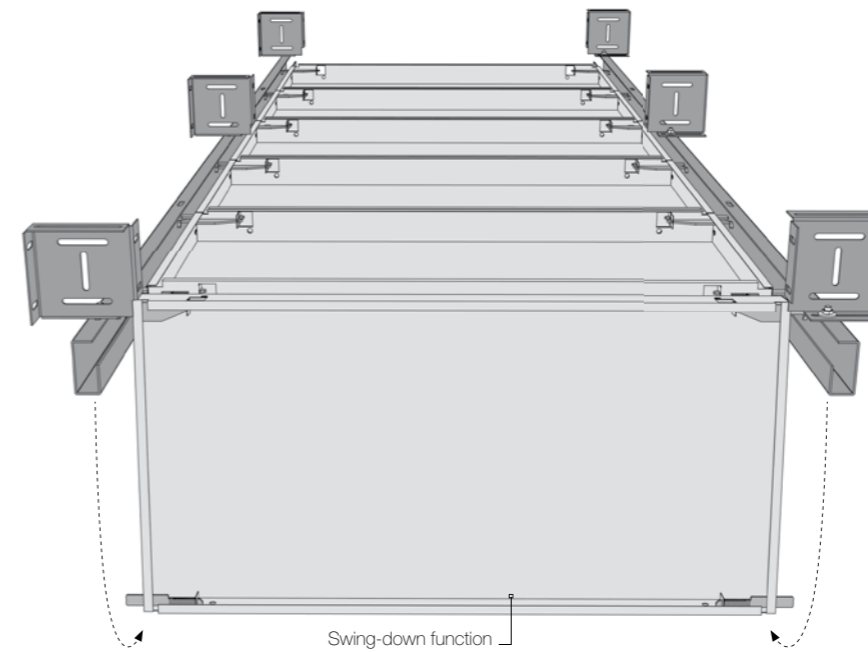
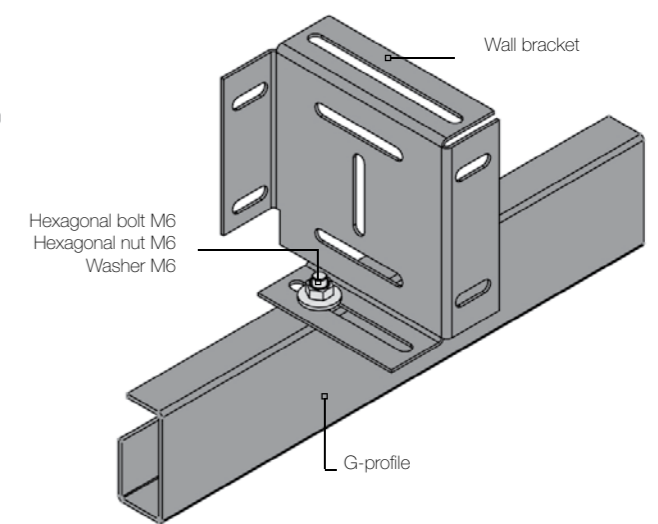


F-H 600 SWING FUNCTION

Detail A F-H 600 rectangular panel



Detail B Grid system



Item No.	Designation
BPM 311007	Wall bracket
BPM 300171	G-profile
BPM 311303	Hexagonal bolt M6 x 16 mm
BPM 311103	Hexagonal nut M6
BPM 311305	Washer M6 18 x 1.6 mm

For further information about the edge detail execution of metal tiles, please see the Metal Edge Detail Execution datasheet

Metal
product

K-H 400 SYSTEM

Tartan grid

Inspiring Great Spaces™

Armstrong®

K-H 400 SYSTEM TARTAN GRID



SPECIFICATION

System	Armstrong ceiling system K-H 400, Hook-On solution with visible grid, with optional hinge-down "Easy" function with optional swing-down "Swing" function suspension height min. 85 mm
Panel material	galvanised steel sheet panel width up to 400 mm 0.6 mm panel width from 401 mm 0.7 mm (aluminium or other materials on request)
Coating	RAL 9010 pure white post-coated powder painted visible surface, other RAL or NCS colours on request
Execution*	rectangular panel square edged long sides CA / DA (30 - 55 mm) short sides E1 / F1 (30 mm)
Gap solution	3 mm gap, with black gasket on long and short side
Acoustic inlay	Black non-woven acoustic fleece as standard. Other options available on request.
Configurable dimensions	panel length (A) 600 - 3000 mm panel width (B) 275 - 1350 mm (panel width for Swing option 247 - 750 mm)
Grid system	crossing-box 100 x 100 mm with customised trim-strips 100 mm width
Perimeter solution	range of standards trims in steel and aluminium plus custom bulkheads available

Service integration	standard round or rectangular cut-outs plus customised options on request.
Special capabilities	- triangular panel solution - truncated pyramid solution - chilled ceiling solution - can be combined with other Armstrong products



BENEFITS

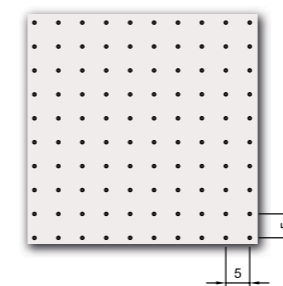
- Solution for square and/or rectangular room partitioning
- Easily installed and removed
- Grid can be emphasised by using contrasting colours

APPLICATION AREA

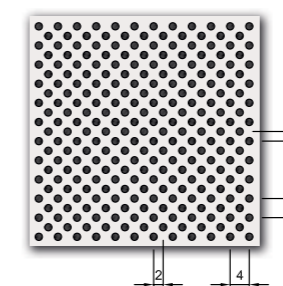
- C-profiles can connect to the partition systems to integrate lighting systems efficiently
- Decorative solutions achieved through a variety of panel design options (square mega panel, rectangular, triangular)
- Ideal for breaking up large spaces.

PROJECT: International Book Club - City Madrid (SP) ARCHITECT: Stitzman Staiff, David S.

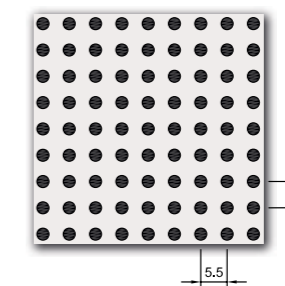
STANDARD PERFORATION PATTERNS



Extra Microperforation Rg 0701
Hole diameter: 0.7 mm
Open area: 1.5 %



Microperforation Rd 1522
Hole diameter: 1.5 mm
Open area: 22%



Standard Perforation Rg 2516
Hole diameter: 2.5 mm
Open area: 16%

Other perforation patterns available on request.

ACOUSTIC PERFORMANCE

Metal ceiling systems have been tested for their acoustic performance in terms of sound absorption, sound attenuation and sound reduction. These performance values will depend upon the perforation and the acoustic infill. Please contact us for more information on the available factory fitted acoustic options.

THERMAL CONDUCTIVITY

(λ) W/mK
50.0 : Steel
0.04 : Acoustic fleece

HUMIDITY EXPOSURE

Up to 95% RH (for short term exposure).

SERVICES INTEGRATION

Metal panels can be supplied with factory produced cut outs and apertures for the integration of building services equipment.

CLEANING

Dust should be removed from the painted surface by wiping with a clean soft cloth. More stubborn marks should be removed with a mild household detergent in warm water. Excessive use of water should be avoided. The use of abrasive cleaners of the painted surface is not recommended.

COLOUR

Standard colours

RAL 9010	20% gloss
Global White	12% gloss
RAL 9006	30% gloss
RAL 9007	30% gloss



Special colours

Other RAL and NCS colours available on request

QUALITY STANDARD

Armstrong is a certified **EN ISO 9001:2008** Quality Assured Manufacturer. All Armstrong ceiling and grid systems are manufactured to the relevant tolerances and quality standards appropriate to material. Where differences exist between this and any expressed or implied architectural specifications or requirements then Armstrong's manufacturing standards will prevail unless stated otherwise.

ENVIRONMENTAL

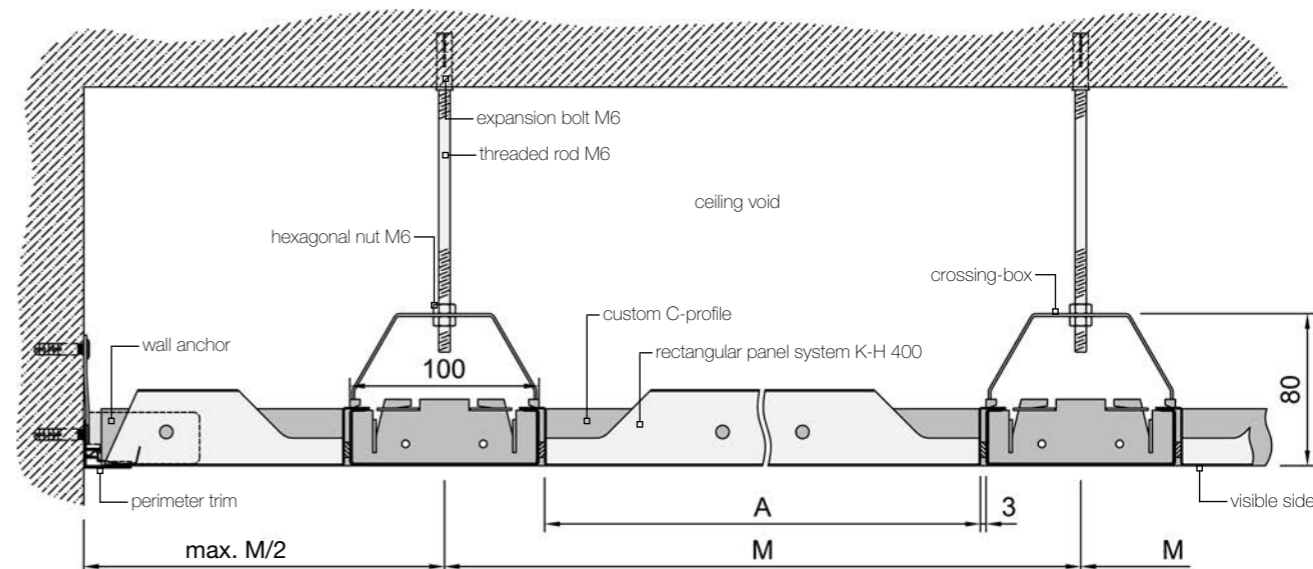
Our metal panels have an average of up to 30% recycled content. Our European manufacturing plants are certified to: **ISO 14001:2004 + Cor. 1:2009**
Armstrong is a member of TAIM (Technical Association of Industrial Metal Ceilings).

Sustainability		Acoustics					Safe & Healthy				
Recycled content (%)	Light reflectance (%)	α _w up to	Sound absorption class	NRC up to	Dncw / Dnfw (dB) up to	Rw (dB) up to	Fire reaction	Humidity resistance (%) up to	Cleanability	Bioguard paint option	Scratch resistance

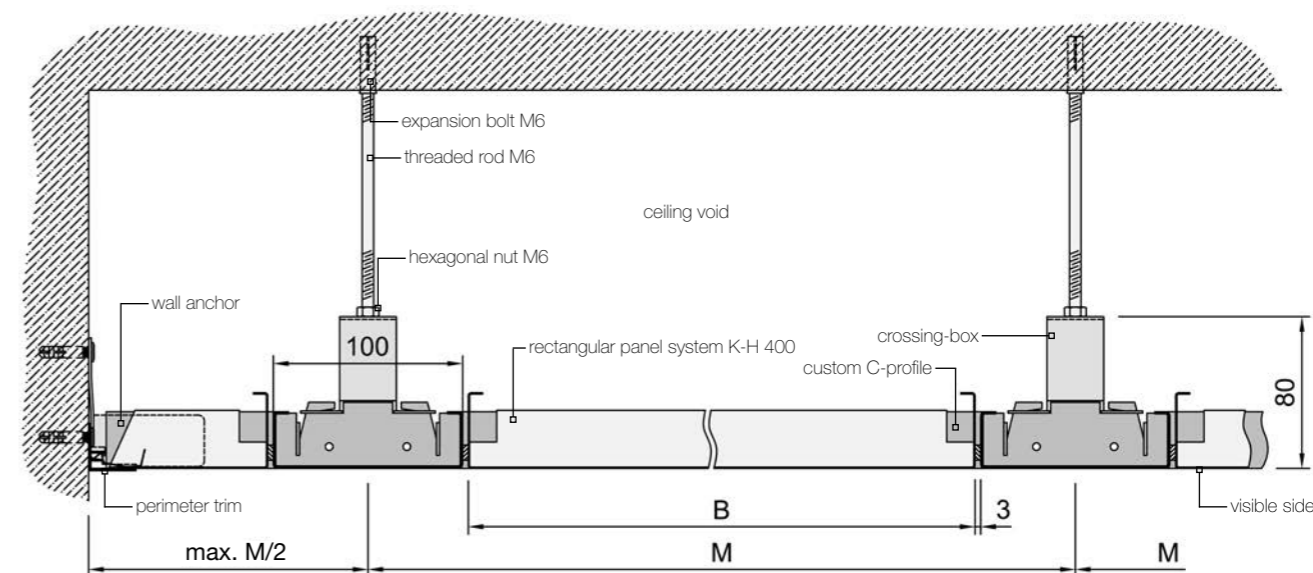
Extra Microperforation Rg 0701 (2)	up to 30	80	0.55(L)	D	0.65	21	10	A2-s2, d0	95	wipeable moist cloth (3)	✓	✓
Microperforation Rd 1522 (2)	up to 30	65	0.70	C	0.70	16	6	A2-s2, d0	95	wipeable moist cloth (3)		✓
Standard Perforation Rg 2516 (2)	up to 30	70	0.75(L)	C	0.80	18	8	A2-s2, d0	95	wipeable moist cloth (3)		✓
Plain / Unperforated (1)	up to 30	85	0.10(L)	Not Classified	0.10	44	19	A1	95	scrubbable	✓	✓
Premium B15	up to 30	depends on perforation	0.65	C	0.60	41	20	A2-s1, d0	95	wipeable moist cloth		✓
Premium OP19	up to 30	depends on perforation	1.00	A	0.90	31	15	A2-s2, d0	95	wipeable moist cloth		✓

(1) RAL 9010 colour, without acoustic inlay. (2) RAL 9010 colour, with black acoustic fleece glued on rear. (3) Wipeable moist cloth for perforated tiles with fleece. Scrubbable for plain tiles or perforated tiles without fleece.

CROSS-SECTION



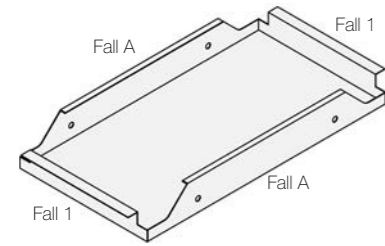
LONGITUDINAL-SECTION



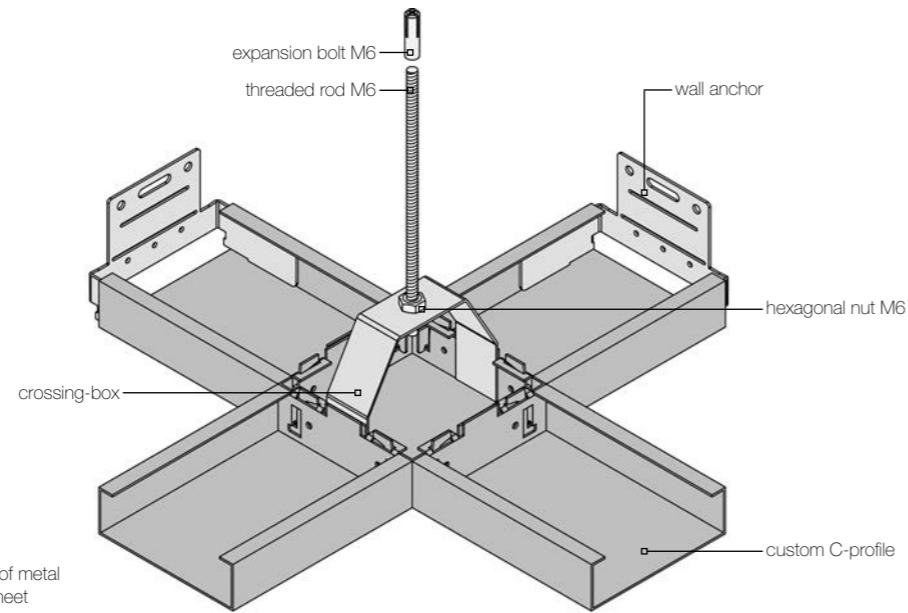
M = module size / A = panel length / B = panel width

Item No.	Designation
BPM 215004	crossing-box 100 x 100 mm
customised	custom C-profile 100 mm
BPM 300144	wall anchor
BPM 311111	expansion bolt M6 x 30 mm
BPM 311099	threaded rod M6 x 1'000 mm
BPM 311103	hexagonal nut M6

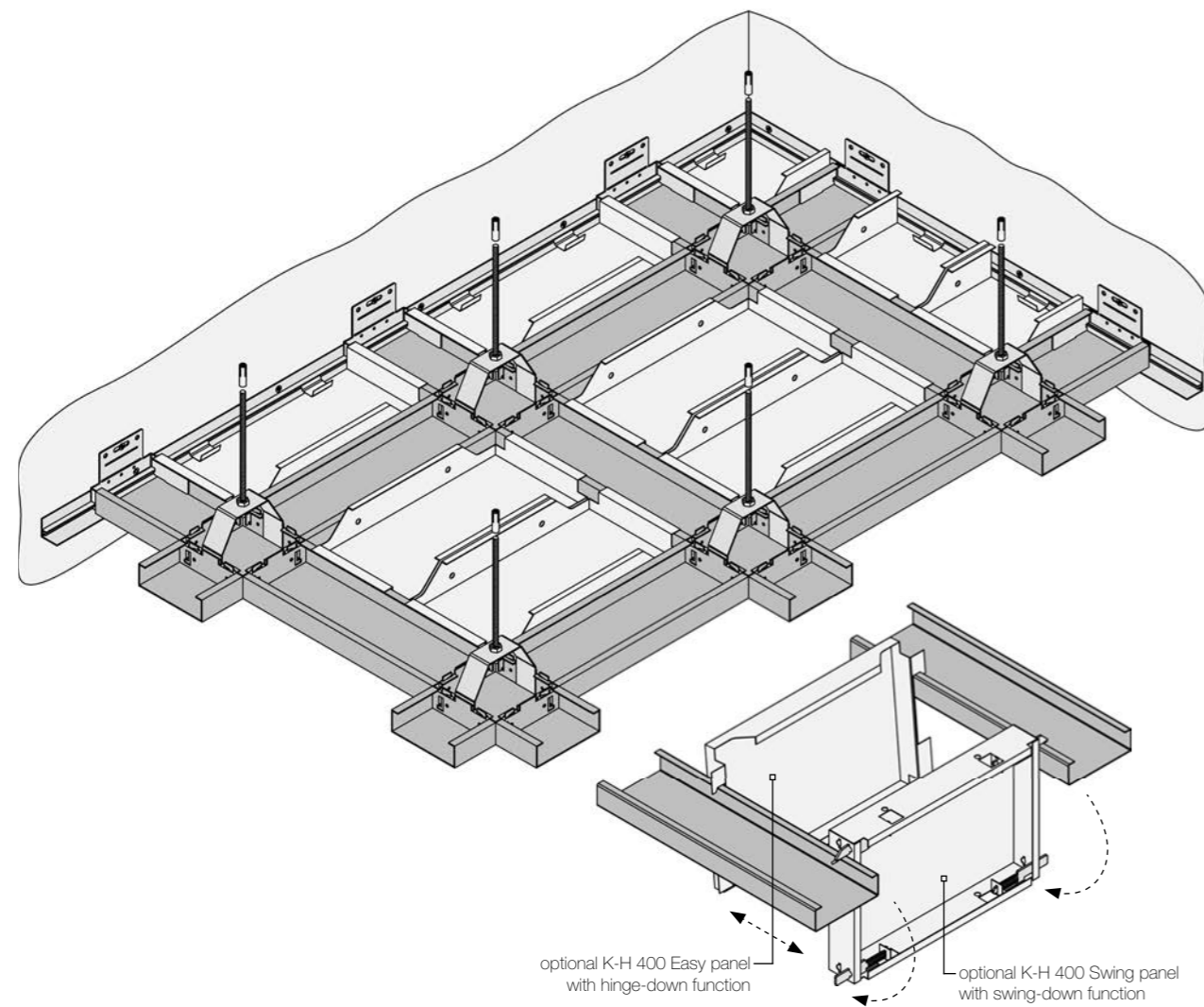
Detail A K-H 400 panel



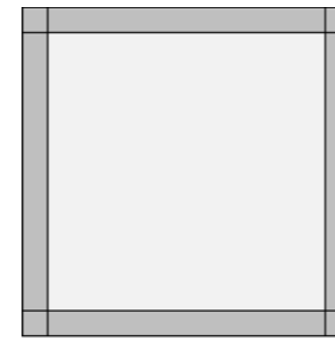
Detail B grid system



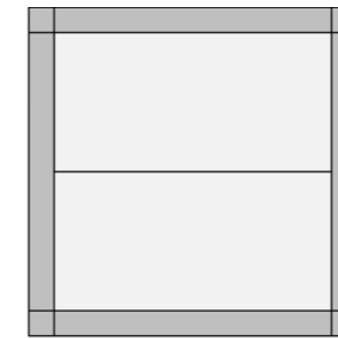
For further information about the edge detail execution of metal tiles, please see the Metal Edge Detail Execution datasheet



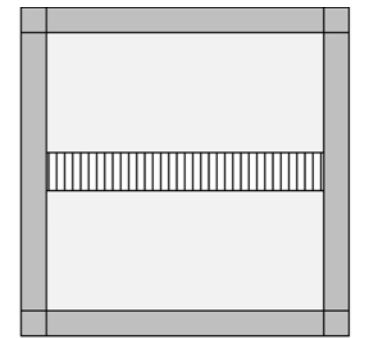
LAYOUT OPTIONS



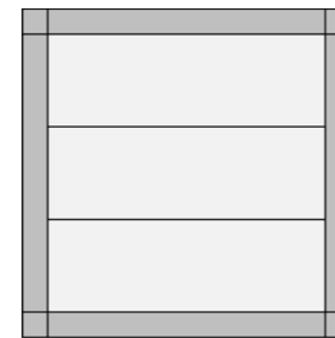
Module with 1 mega panel



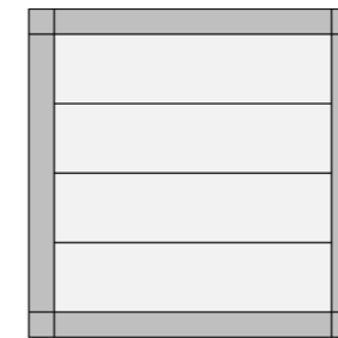
Module with 2 rectangular panels



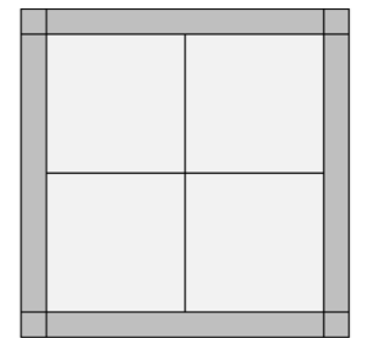
Module with 2 rectangular panels and light integration



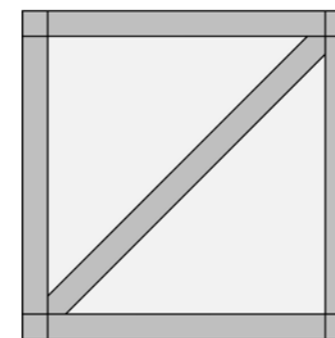
Module with 3 rectangular panels



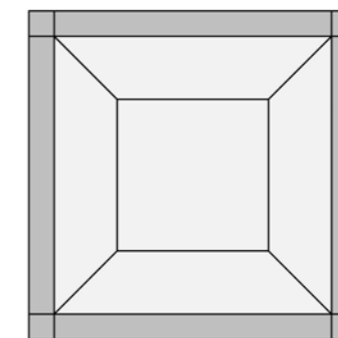
Module with 4 rectangular panels



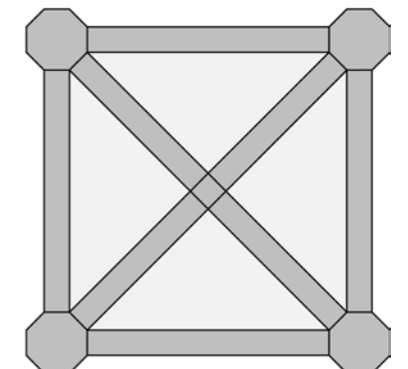
Module with 4 square tiles (suspended by a J-bar in the middle)



Module with a diagonal custom C-profile and 2 triangular panels



Module with 4 elements to build up a truncated pyramid, with a centre tile or service integration



Module with octagonal crossing-boxes and diagonal custom C-profile, with 4 triangular panels

Metal
product

R-H 200 SYSTEM Rectangular panels / planks

Inspiring Great Spaces™

Armstrong®

R-H 200 SYSTEM

RECTANGULAR PANELS / PLANKS



SPECIFICATION

System	Armstrong ceiling system R-H 200, Hook-On solution with concealed grid, suspension height min. 105 mm
Panel material	galvanised steel sheet panel width up to 400 mm 0.6 mm panel width from 401 mm 0.7 mm (aluminium or other materials on request)
Coating	RAL 9010 pure white post-coated powder painted visible surface, other RAL or NCS colours on request
Execution*	rectangular panel square edged long sides CA / DA (40 - 55 mm) short sides E1 / F4 (30 mm)
Gap solution	3 mm gap, with black gasket on one long and one short side
Acoustic inlay	Black non-woven acoustic fleece as standard. Other options available on request.
Standard modules	1800 x 400 mm 2100 x 400 mm 2400 x 400 mm 2700 x 400 mm 3000 x 400 mm
Configurable dimensions	panel length (A) 600 - 3000 mm panel width (B) 275 - 1350 mm
Grid system	GemaGrid® in combination with J-bar, security bracket optional available, further suspension methods on request

Perimeter solution	Range of standards trims in steel and aluminium plus custom bulkheads available.
Service integration	standard round or rectangular cut-outs plus customised options on request.
Special capabilities	- trapezoidal panel solution - curved panel solution - segmented vault or wave ceiling solution - can be combined with other Armstrong products



* For further information about the edge detail execution of metal tiles, please see the Metal Edge Detail Execution datasheet

BENEFITS

- Versatile system and simple design
- Concealed grid for a monolithic effect
- Good acoustic properties
- Ease of installation (alignment) and fully demountable

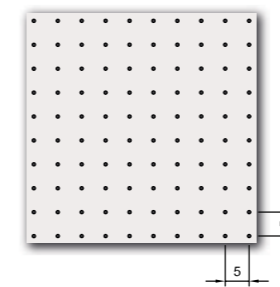
- Easy access to the ceiling void
- Maintenance friendly system

APPLICATION AREA

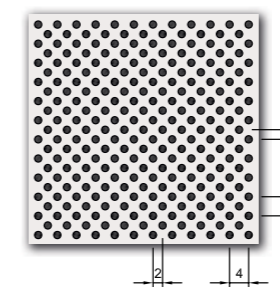
- Suitable for large open plan / circulation areas

PROJECT: The City of St. Gallen (CH)
CONTRACTOR: Phonex AG

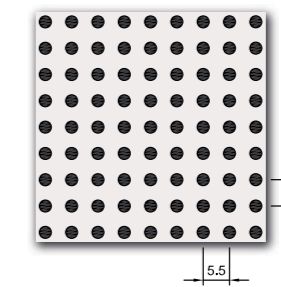
STANDARD PERFORATION PATTERNS



Extra Microperforation Rg 0701
Hole diameter: 0.7 mm
Open area: 1.5 %



Microperforation Rd 1522
Hole diameter: 1.5 mm
Open area: 22%



Standard Perforation Rg 2516
Hole diameter: 2.5 mm
Open area: 16%

Other perforation patterns available on request.

ACOUSTIC PERFORMANCE

Metal ceiling systems have been tested for their acoustic performance in terms of sound absorption, sound attenuation and sound reduction. These performance values will depend upon the perforation and the acoustic infill. Please contact us for more information on the available factory fitted acoustic options.

THERMAL CONDUCTIVITY

(λ) W/mK
50.0 : Steel
0.04 : Acoustic fleece

HUMIDITY EXPOSURE

Up to 95% RH (for short term exposure).

SERVICES INTEGRATION

Metal panels can be supplied with factory produced cut outs and apertures for the integration of building services equipment.

CLEANING

Dust should be removed from the painted surface by wiping with a clean soft cloth. More stubborn marks should be removed with a mild household detergent in warm water. Excessive use of water should be avoided. The use of abrasive cleaners of the painted surface is not recommended.

COLOUR

Standard colours

- RAL 9010 20% gloss
- Global White 12% gloss
- RAL 9006 30% gloss
- RAL 9007 30% gloss



Special colours

Other RAL and NCS colours available on request

QUALITY STANDARD

Armstrong is a certified **EN ISO 9001:2008** Quality Assured Manufacturer. All Armstrong ceiling and grid systems are manufactured to the relevant tolerances and quality standards appropriate to material. Where differences exist between this and any expressed or implied architectural specifications or requirements then Armstrong's manufacturing standards will prevail unless stated otherwise.

ENVIRONMENTAL

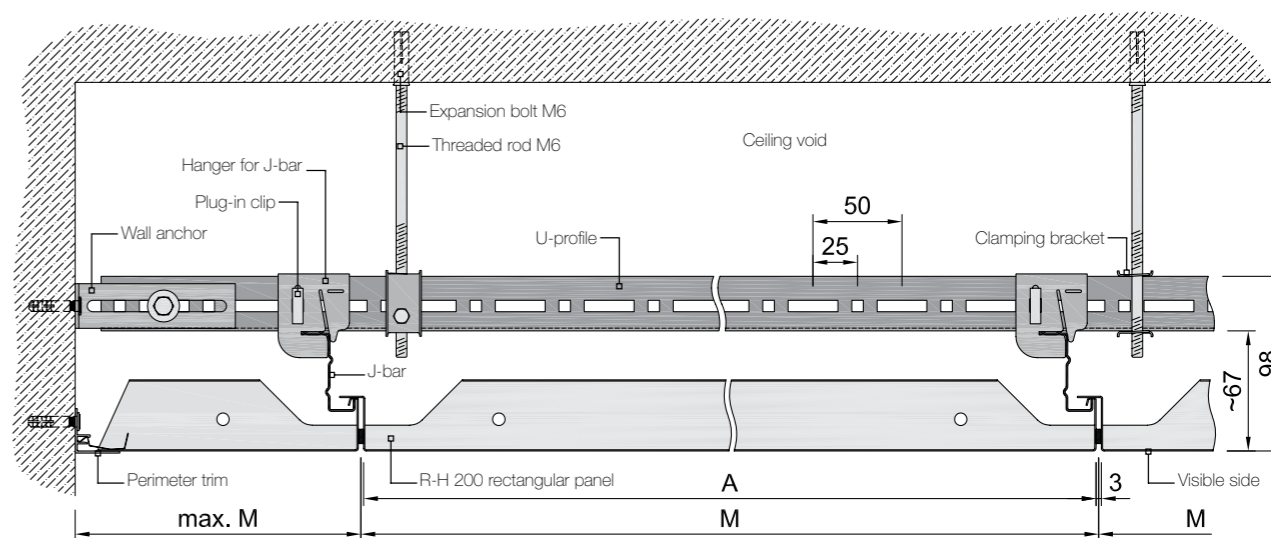
Our metal panels have an average of up to 30% recycled content. Our European manufacturing plants are certified to: **ISO 14001:2004 + Cor. 1:2009**
Armstrong is a member of TAIM (Technical Association of Industrial Metal Ceilings).

Sustainability		Acoustics					Safe & Healthy				
Recycled content (%)	Light reflectance (%)	α _w up to	Sound absorption class	NRC up to	Dncw / Dnfw (dB) up to	Rw (dB) up to	Fire reaction	Humidity resistance (%) up to	Cleanability	Bioguard paint option	Scratch resistance

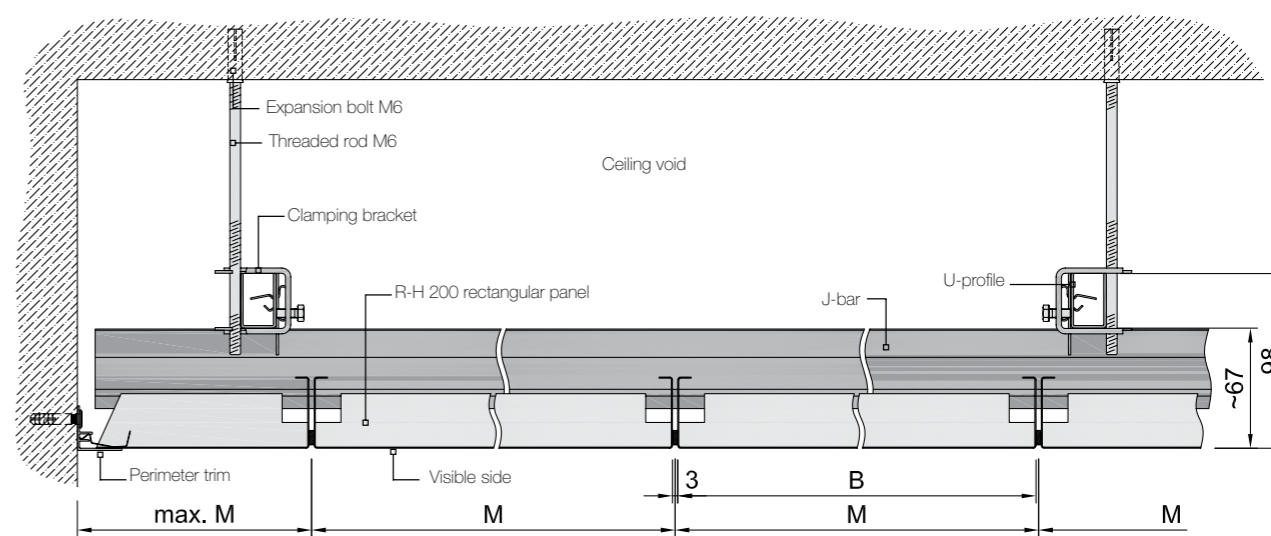
Extra Microperforation Rg 0701 (2)	up to 30	80	0.55(L)	D	0.65	21	10	A2-s2, d0	95	wipeable moist cloth (3)	✓	✓
Microperforation Rd 1522 (2)	up to 30	65	0.70	C	0.70	16	6	A2-s2, d0	95	wipeable moist cloth (3)		✓
Standard Perforation Rg 2516 (2)	up to 30	70	0.75(L)	C	0.80	18	8	A2-s2, d0	95	wipeable moist cloth (3)		✓
Plain / Unperforated (1)	up to 30	85	0.10(L)	Not Classified	0.10	44	19	A1	95	scrubbable	✓	✓
Premium B15	up to 30	depends on perforation	0.65	C	0.60	47	21	A2-s1, d0	95	wipeable moist cloth		✓
Premium OP19	up to 30	depends on perforation	1.00	A	0.90	31	15	A2-s2, d0	95	wipeable moist cloth		✓

(1) RAL 9010 colour, without acoustic inlay. (2) RAL 9010 colour, with black acoustic fleece glued on rear. (3) Wipeable moist cloth for perforated tiles with fleece. Scrubbable for plain tiles or perforated tiles without fleece.

CROSS-SECTION



LONGITUDINAL-SECTION

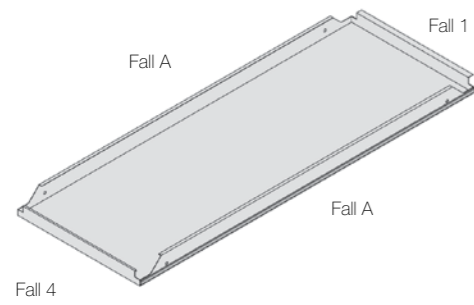


M = module size / A = panel length / B = panel width

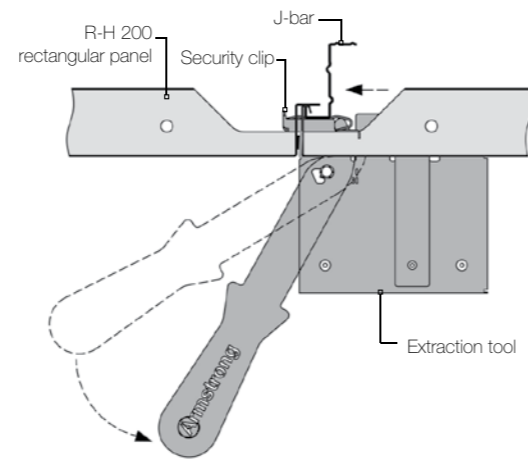
Item No.	Designation
BPM 300100	U-profile
BPM 300119	Connector for U-profile
BPM 300120	Plug-in clip
BPM 300140	Wall anchor
BPM 300121	Clamping bracket
BPM 311111	Expansion bolt M6 x 30 mm
BPM 311099	Threaded rod M6 x 1'000 mm

Item No.	Designation
BPM 300026	J-bar
BPM 300343	Connector for J Profile
BPM 300307	Hanger for J Profile
BPM 311303	Hexagonal bolt M6 x 16 mm
BPM 311103	Hexagonal nut M6
BPM 311305	Washer M6 18 x 1.6 mm
BPM 300216	Security bracket
BPM 300208	Extraction tool for R-H 200

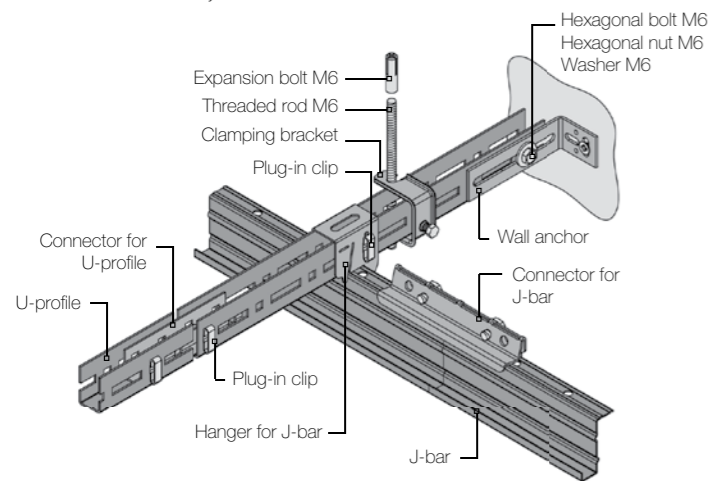
Detail A R-H 200 panel



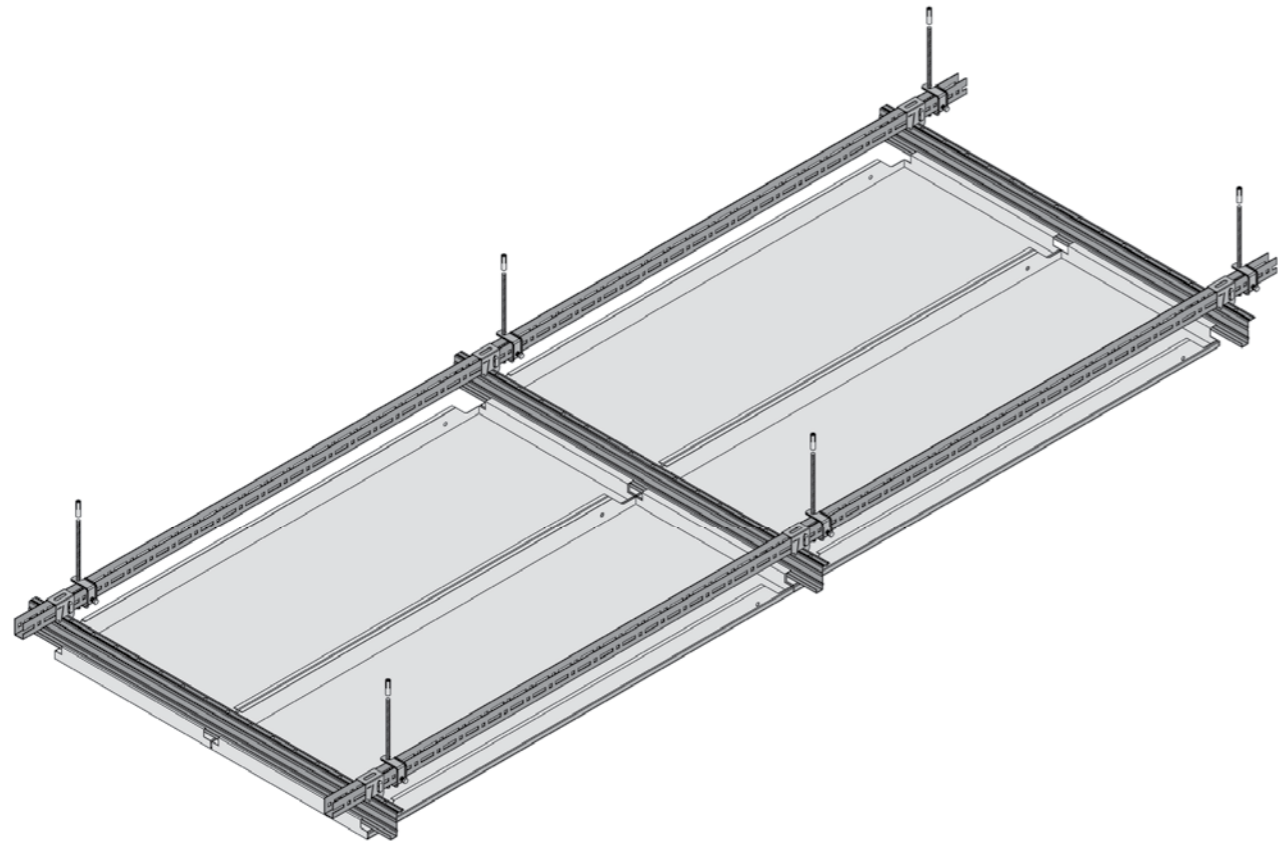
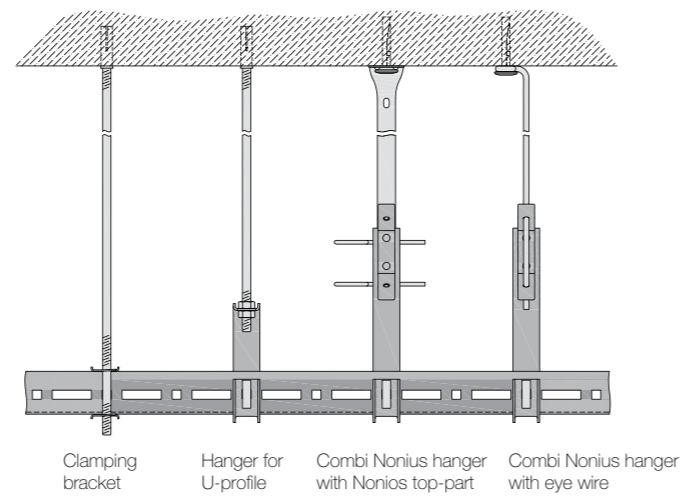
Detail B Security clip option



Detail C Grid system



Detail D Suspension methods



Metal
product

R-H 215 SYSTEM

Rectangular panels / planks

Inspiring Great Spaces™

Armstrong®

R-H 215 SYSTEM

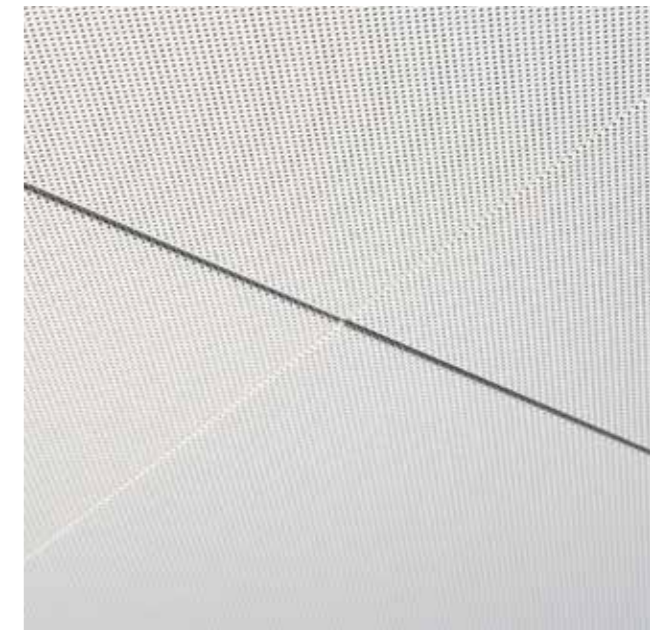
RECTANGULAR PANELS / PLANKS



SPECIFICATION

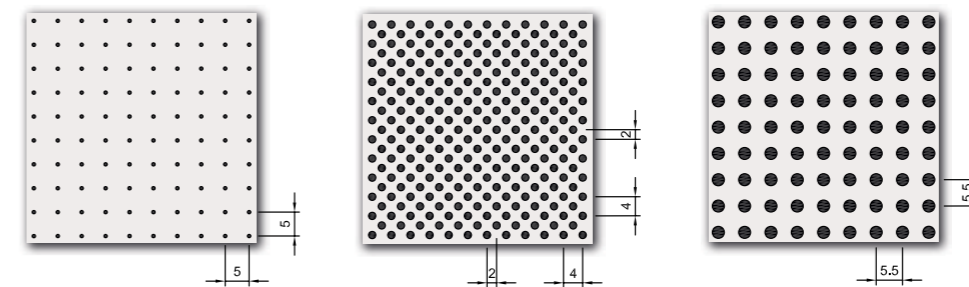
System	Armstrong ceiling system R-H 215, Hook-On solution with concealed grid, with optional revision opening Power Swing, suspension height min. 100 mm
Panel material	galvanised steel sheet panel width up to 400 mm 0.6 mm panel width from 401 mm 0.7 mm (aluminium or further materials on request)
Coating	RAL 9010 pure white post-coated powder painted visible surface, other RAL or NCS colours on request
Execution*	rectangular panel square edged long sides CA / DA (40 - 55 mm) short sides E8 / F8 (12 mm)
Gap solution	3 mm gap, with black gasket on one long and one short side
Acoustic inlay	Black non-woven acoustic fleece as standard. Other options available on request.
Standard modules	1800 x 400 mm 2100 x 400 mm 2400 x 400 mm 2700 x 400 mm 3000 x 400 mm
Configurable dimensions	panel length (A) 600 - 3000 mm panel width (B) 275 - 1350 mm
Grid system	GemaGrid® system in combination with H-profile 35, security bracket optional available, further suspension methods on request

Perimeter solution	Range of standards trims in steel and aluminium plus custom bulkheads available.
Service integration	standard round or rectangular cut-outs plus customized options on request.
Special capabilities	- trapezoidal panel solution - faceted ceiling solution - can be combined with other Armstrong products



* For further information about the edge detail execution of metal tiles, please see the Metal Edge Detail Execution datasheet

STANDARD PERFORATION PATTERNS



Extra Microperforation Rg 0701

Hole diameter: 0.7 mm
Open area: 1.5 %

Microperforation Rd 1522

Hole diameter: 1.5 mm
Open area: 22%

Standard Perforation Rg 2516

Hole diameter: 2.5 mm
Open area: 16%

Other perforation patterns available on request.

BENEFITS

- Versatile system and simple design
- Concealed grid for a monolithic effect
- Good acoustic properties
- Ease of installation (alignment) and fully demountable

APPLICATION AREA

- Easy access to the ceiling void
- Maintenance friendly system
- Suitable for large open plan / circulation areas

PROJECT: Library in the Teology University of Jan Pawel II (PL) ::::: ARCHITECT: K. Ingarden, J. Ewý Architekci Sp. z o.o.
SOLUTION: R-H 215 Plain with Special Perforations (RAL 9007)

ACOUSTIC PERFORMANCE

Metal ceiling systems have been tested for their acoustic performance of sound absorption. All perforated products can be supplied with a variety of factory fitted acoustic infill options. Please contact us for more information.

THERMAL CONDUCTIVITY

(λ) W/mK
50.0 : Steel
0.04 : Acoustic fleece

HUMIDITY EXPOSURE

Up to 95% RH (for short term exposure).

SERVICES INTEGRATION

Metal panels can be supplied with factory produced cut outs and apertures for the integration of building services equipment.

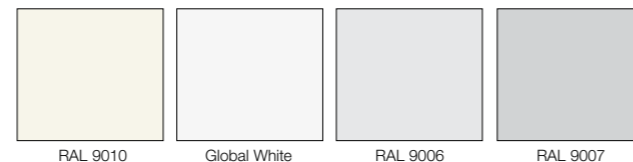
CLEANING

Dust should be removed from the painted surface by wiping with a clean soft cloth. More stubborn marks should be removed with a mild household detergent in warm water. Excessive use of water should be avoided. The use of abrasive cleaners of the painted surface is not recommended.

COLOUR

Standard colours

RAL 9010 20% gloss
Global White 12% gloss
RAL 9006 30% gloss
RAL 9007 30% gloss



Special colours

Other RAL and NCS colours available on request

QUALITY STANDARD

Armstrong is a certified **EN ISO 9001:2008** Quality Assumed Manufacturer. All Armstrong ceiling and grid systems are manufactured to the relevant tolerances and quality standards appropriate to material. Where differences exist between this and any expressed or implied architectural specifications or requirements then Armstrong's manufacturing standards will prevail unless stated otherwise.

ENVIRONMENTAL

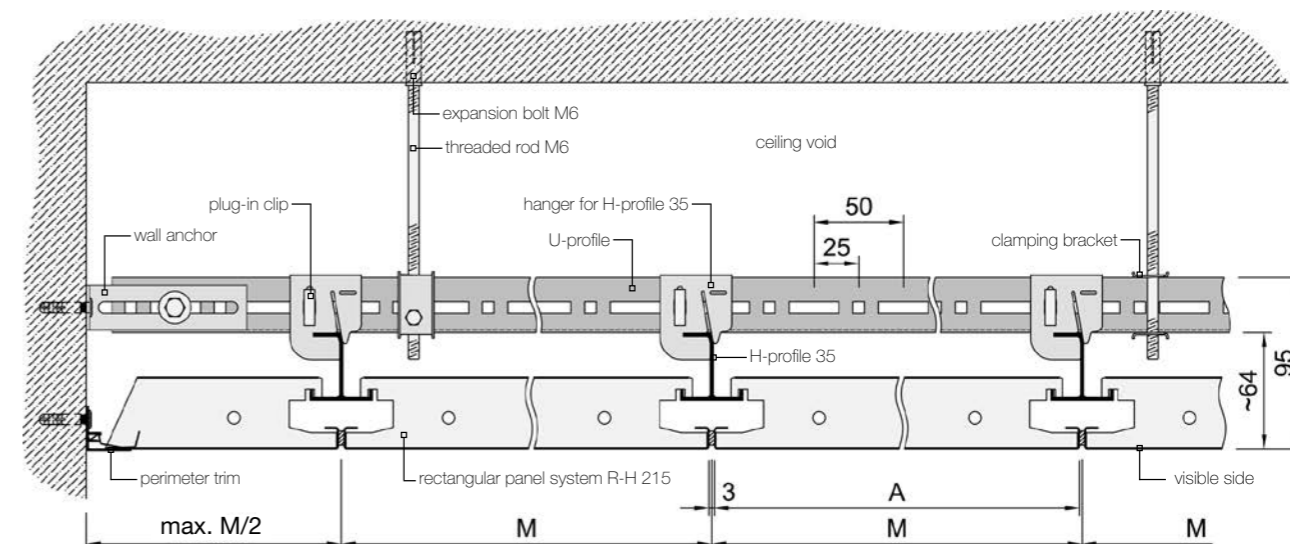
Our metal panels have an average of up to 30% recycling content. Our European manufacturing plants are certified to: **ISO 14001:2004 + Cor. 1:2009**
Armstrong is a member of TAIM (Technical Association of Industrial Metal Ceilings).

Sustainability		Acoustics					Safe & Healthy				
Recycled content (%)	Light reflectance (%)	α _w up to	Sound absorption class	NRC up to	Dncw / Dnfw (dB) up to	Rw (dB) up to	Fire reaction	Humidity Resistance (%) up to	Cleanability	Bioguard paint option	Scratch resistance

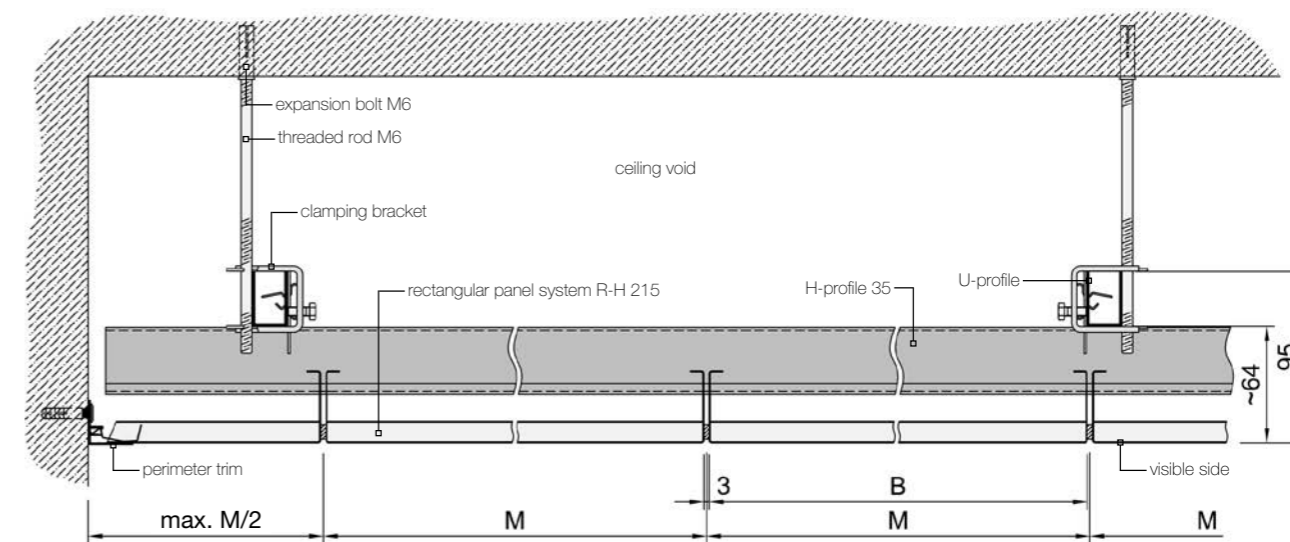
Extra Microperforation Rg 0701 (2)	up to 30	80	0.55(L)	D	0.65	21	10	A2-s2, d0	95	wipeable moist cloth (3)	✓	✓
Microperforation Rd 1522 (2)	up to 30	65	0.70	C	0.70	16	6	A2-s2, d0	95	wipeable moist cloth (3)		✓
Standard Perforation Rg 2516 (2)	up to 30	70	0.75(L)	C	0.80	18	8	A2-s2, d0	95	wipeable moist cloth (3)		✓
Plain / Unperforated (1)	up to 30	85	0.10(L)	Not Classified	0.10	44	19	A1	95	scrubbable	✓	✓

(1) RAL 9010 colour, without acoustic inlay. (2) RAL 9010 colour, with black acoustic fleece glued on rear. (3) Wipeable moist cloth for perforated tiles with fleece. Scrubbable for plain tiles or perforated tiles without fleece.

CROSS-SECTION



LONGITUDINAL-SECTION

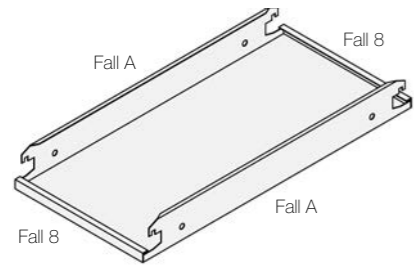


M = module size / A = panel length / B = panel width

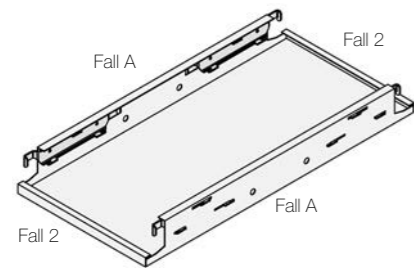
Item No.	Designation
BPM 300100	U-profile
BPM 300119	connector for U-profile
BPM 300120	plug-in clip
BPM 300140	wall anchor
BPM 300141	clamping bracket
BPM 311111	expansion bolt M6 x 30 mm
BPM 311099	threaded rod M6 x 1'000 mm

Item No.	Designation
BPM 311400	H-profile 35
BPM 300343	connector for H-profile 35
BPM 300307	hanger for H-profile 35
BPM 311303	hexagonal bolt M6 x 16 mm
BPM 311103	hexagonal nut M6
BPM 311305	washer M6 18 x 1.6 mm
BPM 300216	security bracket

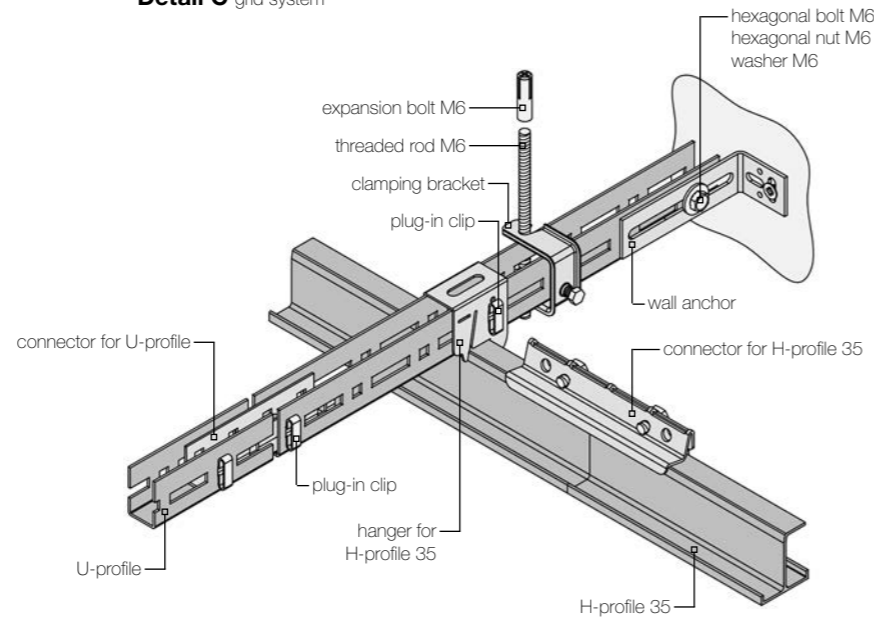
Detail A R-H 215 panel



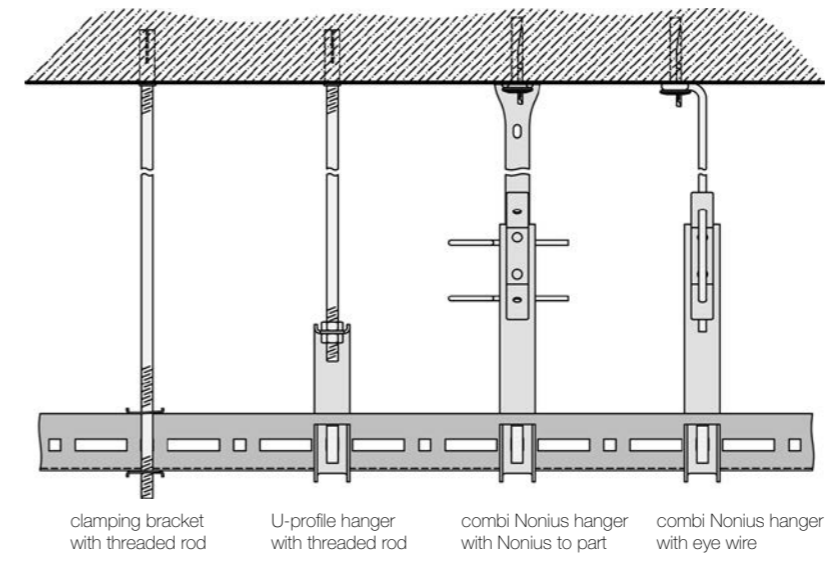
Detail B R-H 215 Power Swing panel



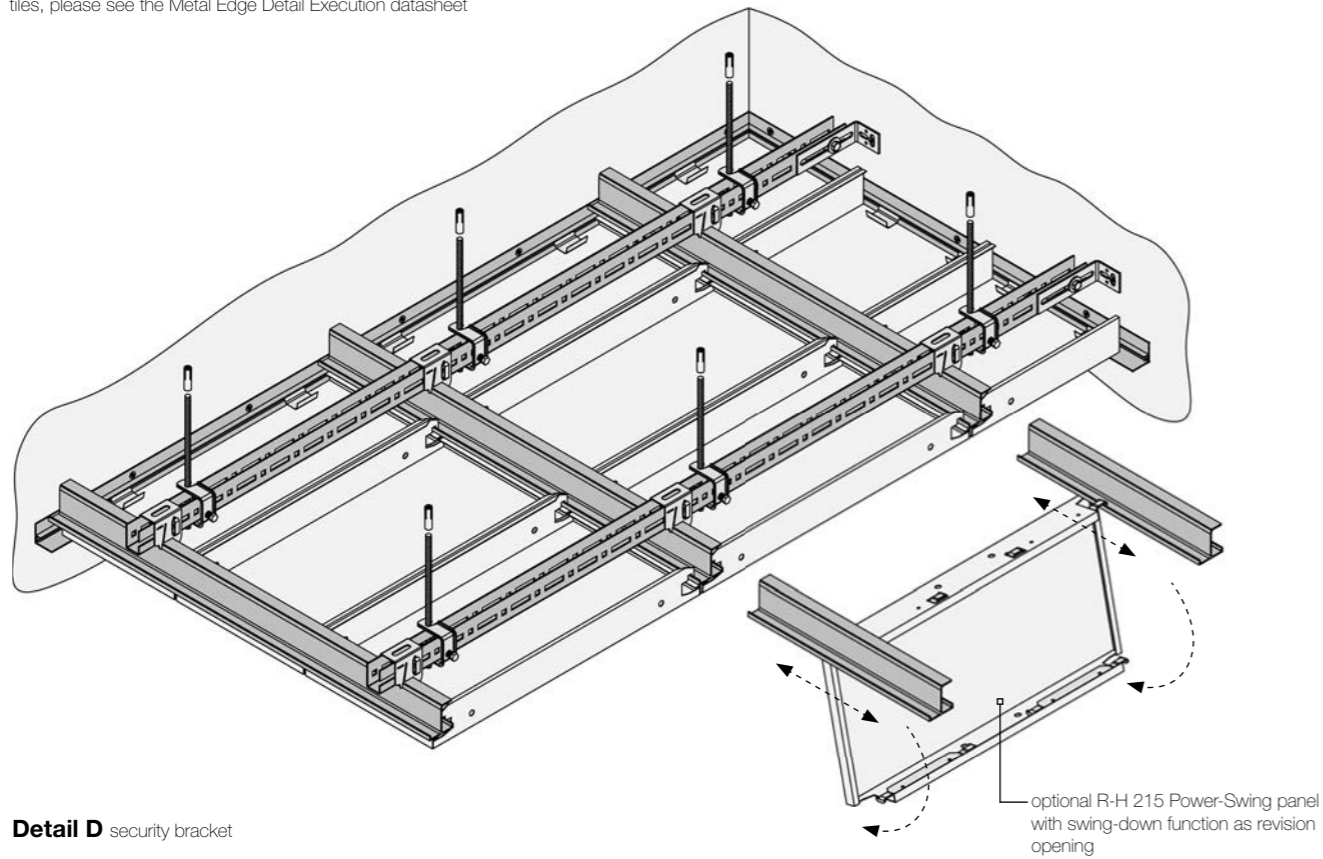
Detail C grid system



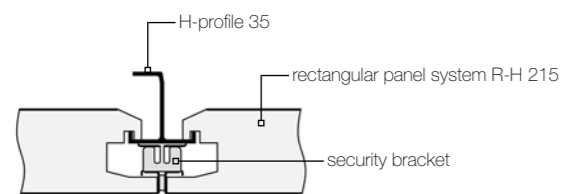
Detail E suspension methods



For further information about the edge detail execution of metal tiles, please see the Metal Edge Detail Execution datasheet



Detail D security bracket



WESTERN EUROPE

Belgium & Luxembourg

Armstrong Building Products B.V.
Bureaux Commerciaux Belgique
Postbus 3803
4800 DV Breda
Nederland
Tel.: (+32) 02 223 00 72
Fax: (+31) 076 521 04 07
e-mail: benelux-info@armstrong.com
www.armstrong-plafonds.be

Germany & Switzerland

Armstrong Building Products
Kundenservice
Office Building Quadrium
Claudius Prinsenlaan 126
4818 CP Breda
Niederlande
Tel.: (+49) 0251 7603 210
Fax: (+49) 0251 7603 593
e-mail: deutsche-info@armstrong.com
www.armstrong-decken.de
www.armstrong-decken.at
www.armstrong.ch

Armstrong Metalldecken AG
Breitfeldstrasse 8
9015 St. Gallen
Switzerland
Tel.: +41 (0) 71 313 63 63
Fax: +41 (0) 71 313 64 00

Zentralschweiz
Armstrong Metalldecken AG
Büro / Lager Zentralschweiz
Grossweid 9
CH-6026 Rain
Tel.: +41 (0) 41 921 63 63
Fax: +41 (0) 41 921 63 80

Suisse Romande
Armstrong Plafonds Métalliques SA
Bureau Suisse Romande
3, rue Gustave-Monynier
CH-1202 Genève
Tel.: +41 (0) 22 731 60 70
Fax: +41 (0) 22 731 60 74

Austria

Armstrong Metalldecken GmbH
Bundesstrasse 70
A-6830 Rankweil
Tel.: +43 (0) 55 22 34 44-0
Fax: +43 (0) 55 22 34 44-8

Armstrong Metalldecken GmbH
Messendorferstrasse 6
A-8041 Graz
Tel.: +43 (0) 31 64 71 584
Fax: +43 (0) 31 64 71 584-10

Spain & Portugal

Armstrong Building Products
Oficina de ventas España
C/ Caléndula, 95 – Miniparc II
Edificio "M" – Planta 1ª
Urb. El Soto de la Moraleja
28109 – Alcobendas Madrid
Tel.: (+34) 91 642 04 99
e-mail: info-espana@armstrong.com
www.armstrong.es/techos

France & French Speaking Africa

Armstrong Building Products SAS
Bureaux Commerciaux France
Immeuble Paryseine
3 Allée de la Seine
94854 Ivry-sur-Seine
Tel.: 0800 41 36 43
Fax: (+33) 1 45 21 04 11
e-mail: info-france@armstrong.com
www.armstrong.fr/plafonds

Siège social
Armstrong Building Products SAS
67 rue de Salins – CS 20089
25302 Pontarlier Cedex
France

Italy & Greece

Armstrong Building Products
Ufficio Commerciale Italia
Immeuble Paryseine
3 Allée de la Seine
94854 Ivry-sur-Seine
Francia
Tel.: (+39) 02 66 22 76 50
Fax: (+39) 02 66 20 14 27
e-mail: info-italia@armstrong.com
www.armstrong-soffitti.it
www.armstrong.eu

Netherlands

Armstrong Building Products B.V.
Verkoopkantoor Nederland
Postbus 3803
4800 DV Breda
Nederland
Tel.: (+31) 076 52 30 200
Fax: (+31) 076 521 04 07
e-mail: benelux-info@armstrong.com
www.armstrong.nl/plafonds

United Kingdom

Armstrong World Industries Ltd
Building Products Division
Armstrong House
38 Market Square
Uxbridge UB8 1NG
Tel.: 0800 371849
Fax: (+44) 1895 274287
e-mail: sales-support@armstrong.com
www.armstrong-ceilings.co.uk

Republic of Ireland

Armstrong World Industries Ltd.
108 Greenlea Road
Terenure
Co Dublin 6W
Ireland
Tel.: 1800 409002
Tel.: (+353) 1 499 1701
Fax: (+353) 1 490 7061
e-mail: sales-support@armstrong.com
www.armstrong-ceilings.ie

CENTRAL EUROPE NORTH

(DK/EE/FIN/IS/LT/LV/N/PL/S)

Armstrong Building Products BV
Sp. z o.o. Oddział w Polsce
ul. Domaniewska 37
02-672 Warszawa
Poland
Tel.: (+48) 22 337 86 10/ 86 11
Fax: (+48) 22 337 86 12
e-mail: service-ce@armstrong.com
Latvia: www.armstrong.lv
Lithuania: www.armstrong.lt
Norway: www.armstrong.no
Poland: www.armstrong.pl
Sweden: www.armstrong.se

CENTRAL EUROPE SOUTH

(AL/BA/BG/CZ/HR/HU/KO/MD/ME/MK/RO/RS/SK/SI)

Armstrong Building Products
Lighthouse building,
Jankovcova 1569/2c,
170 00 Praha 7,
Czech Republic
Tel.: +420 234 700 543
e-mail: service-ce@armstrong.com
Czech Republic: www.armstrong.cz
Hungary: www.armstrong.co.hu
Romania: www.armstrong.ro
Serbia: www.armstrong.rs
Slovakia: www.armstrong.sk
Slovenia: www.armstrong.si

EASTERN EUROPE

CIS

Armstrong Moscow GmbH
Park Place, office E502
113/1, Leninsky Prospekt
Moscow 117198
Russia
Tel.: (+7) 495 956 5100
Fax: (+7) 495 956 5101
e-mail: info-cis@armstrong.com
Russian Federation: www.armstrong.ru

MIDDLE EAST / AFRICA / TURKEY

Armstrong World Industries Ltd Africa Middle East Turkey Division

Armstrong House
38 Market Square
Uxbridge UB8 1NG
Tel.: (+44) 01895 202097
Fax: (+44) 01895 272928
e-mail: sales-support@armstrong.com
www.armstrong.eu
Israel: www.armstrong.co.il
South Africa: www.armstrong-ceilings.co.za

Dubai | United Arab Emirates

Armstrong World Industries JLT
Office No. 2003, 20th Floor
Gold Crest Executive Tower
Jumeirah Lakes Towers
P.O. Box 73831
Dubai, U.A.E.
info-me@armstrong.com
www.armstrong.ae

Turkey

Armstrong Europa GmbH
Mimar Sinan Mah. Mimar Sinan
35/2 Cekmekoy
Istanbul
Türkiye
Gsm: +90 542 772 49 22
Gsm: +90 544 293 5931
www.armstrong.com.tr
etulpar@armstrong.com